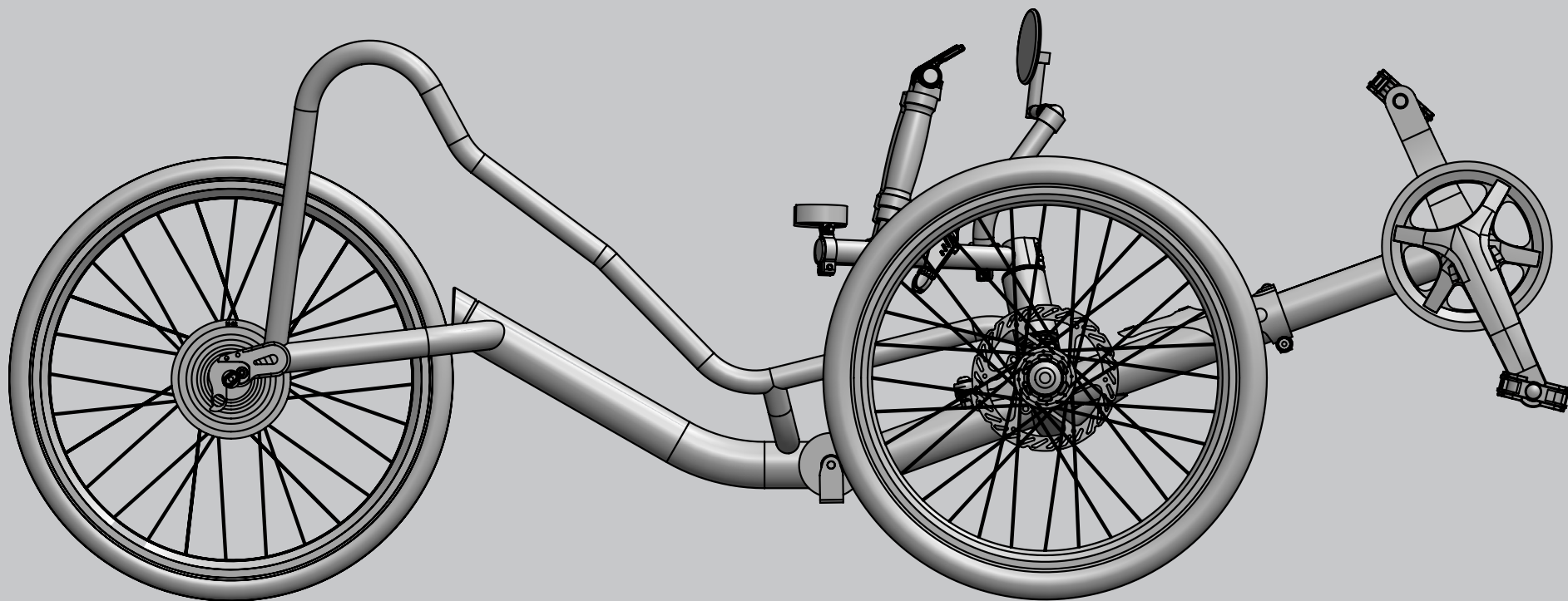


CATRIKE



POCKET

TECHNICAL MANUAL

HEADSET ASSEMBLY 2

SPINDLES 3-4

TIE ROD 5

FRONT WHEEL INSTALL 6-9

REAR WHEEL INSTALL 10

TIE ROD ADJUSTMENT 11-12

HANDLEBARS 13-14

BOOM ADJUSTMENT 15-16

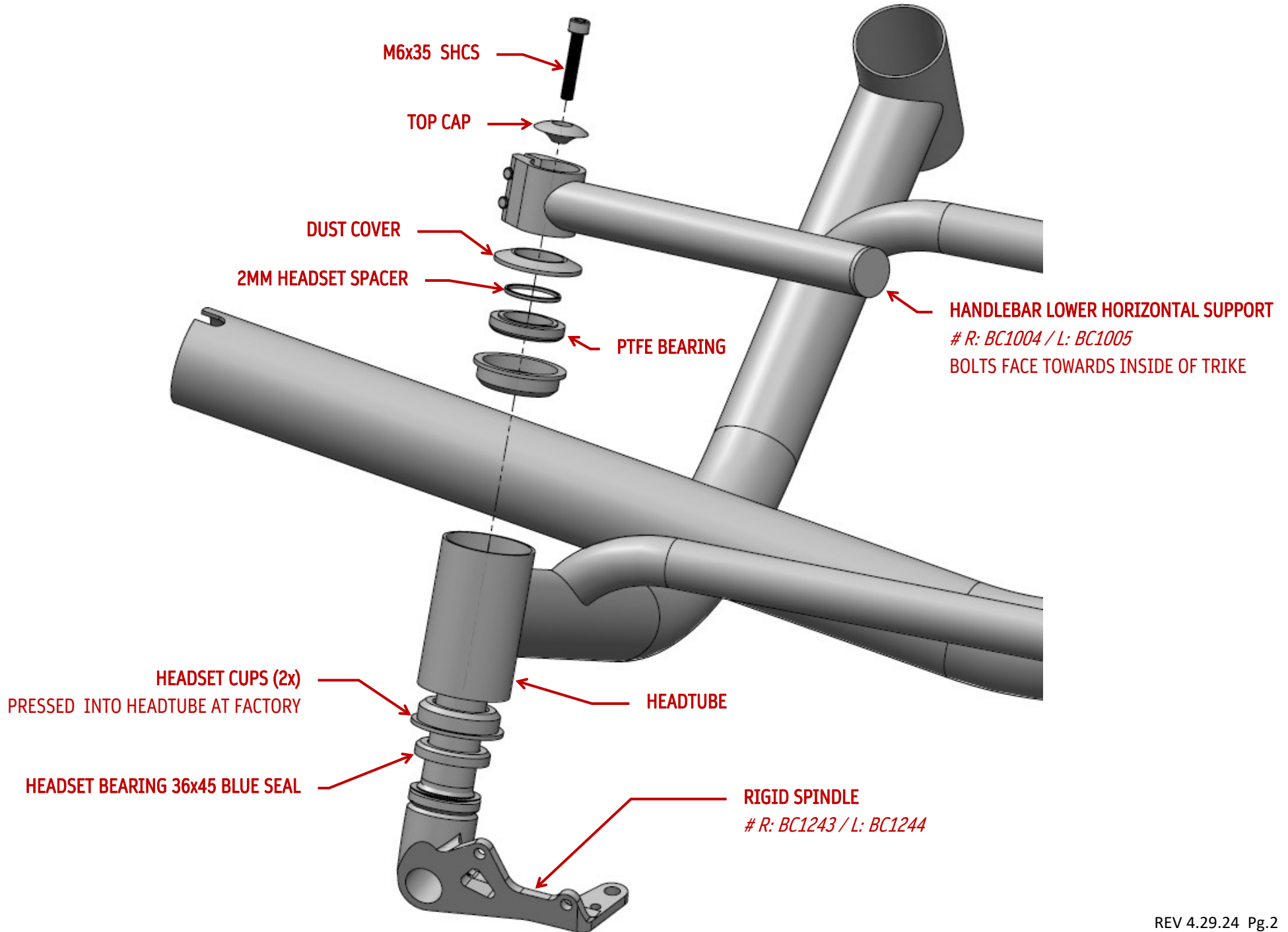
CABLE ROUTING 17

CHAIN ROUTING 18

ECAT 19-28

REAR FENDER ASSEMBLY 29-31

HEADSET ASSEMBLY

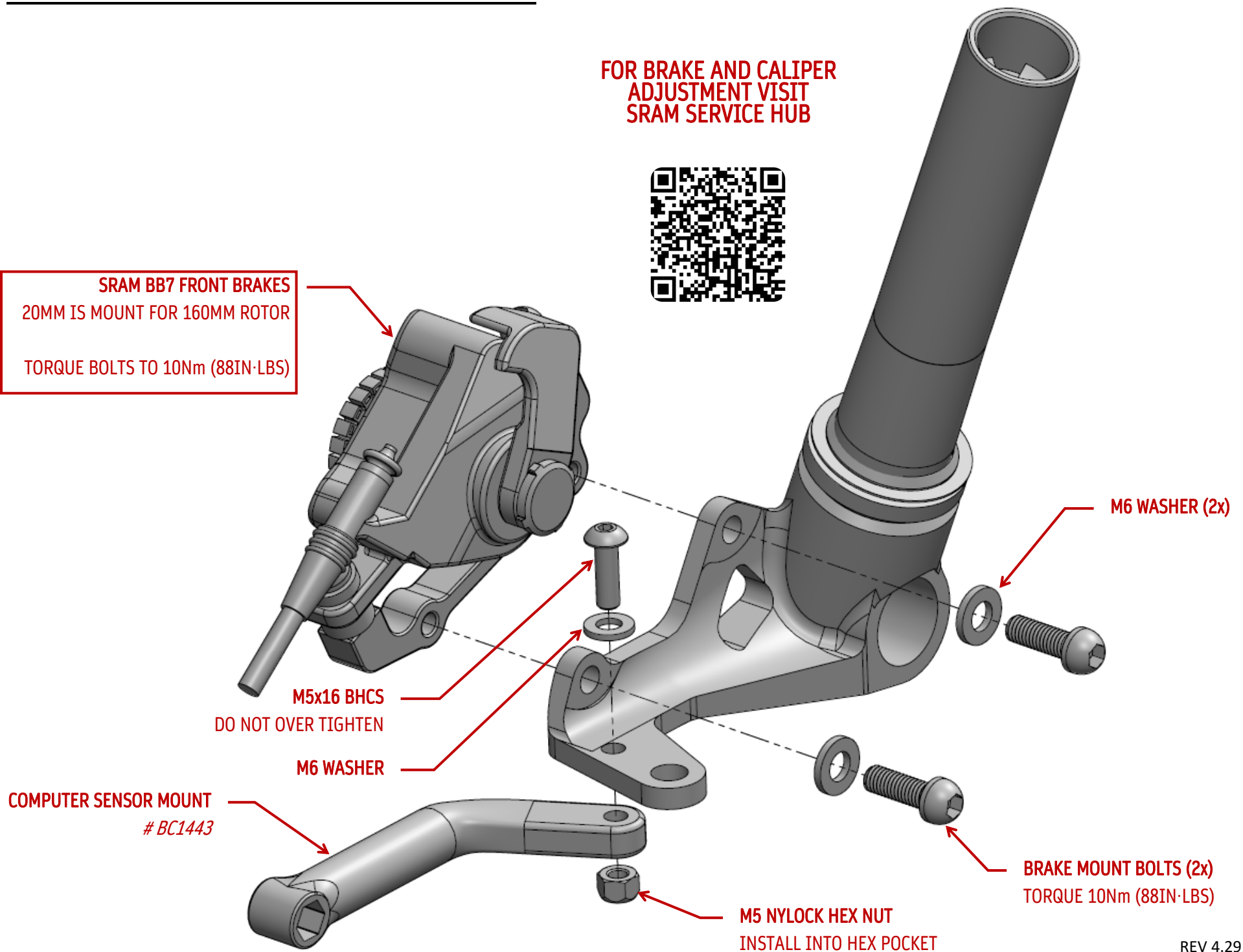


RIGID SPINDLE MAIN ASSEMBLY LEFT

FOR BRAKE AND CALIPER
ADJUSTMENT VISIT
SRAM SERVICE HUB



SRAM BB7 FRONT BRAKES
20MM IS MOUNT FOR 160MM ROTOR
TORQUE BOLTS TO 10Nm (88IN·LBS)

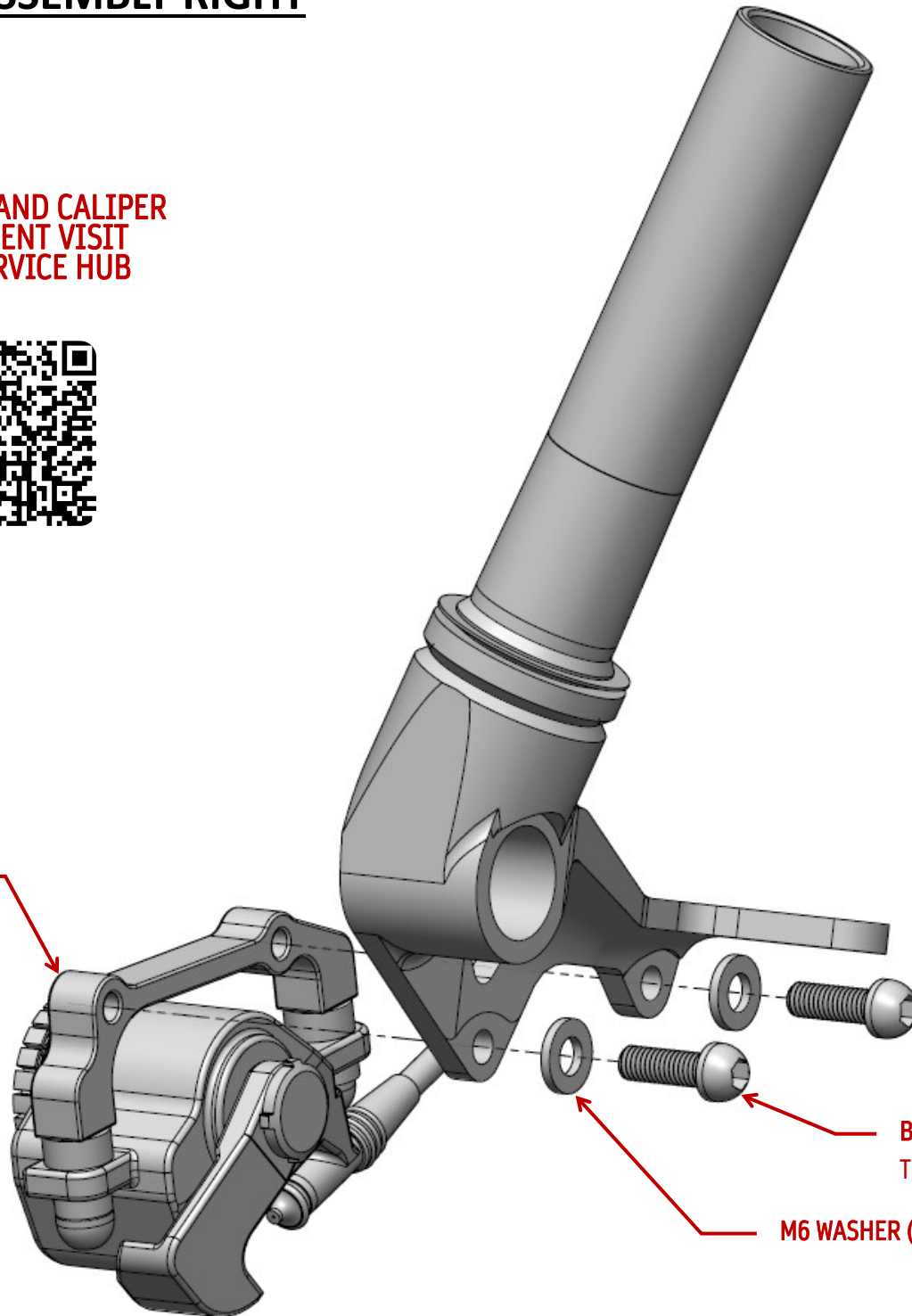


RIGID SPINDLE MAIN ASSEMBLY RIGHT

FOR BRAKE AND CALIPER
ADJUSTMENT VISIT
SRAM SERVICE HUB



SRAM BB7 FRONT BRAKES
20MM IS MOUNT FOR 160MM ROTOR
TORQUE BOLTS TO 10Nm (88IN·LBS)



BRAKE MOUNT BOLTS (2x)
TORQUE 10Nm (88IN·LBS)

M6 WASHER (2x)

TIE-ROD ASSEMBLY

SHORT TIE-ROD (ASSEMBLY)
BC1276
HARDWARE INCLUDED IN EACH ASSEMBLY

M8x35 BHCS

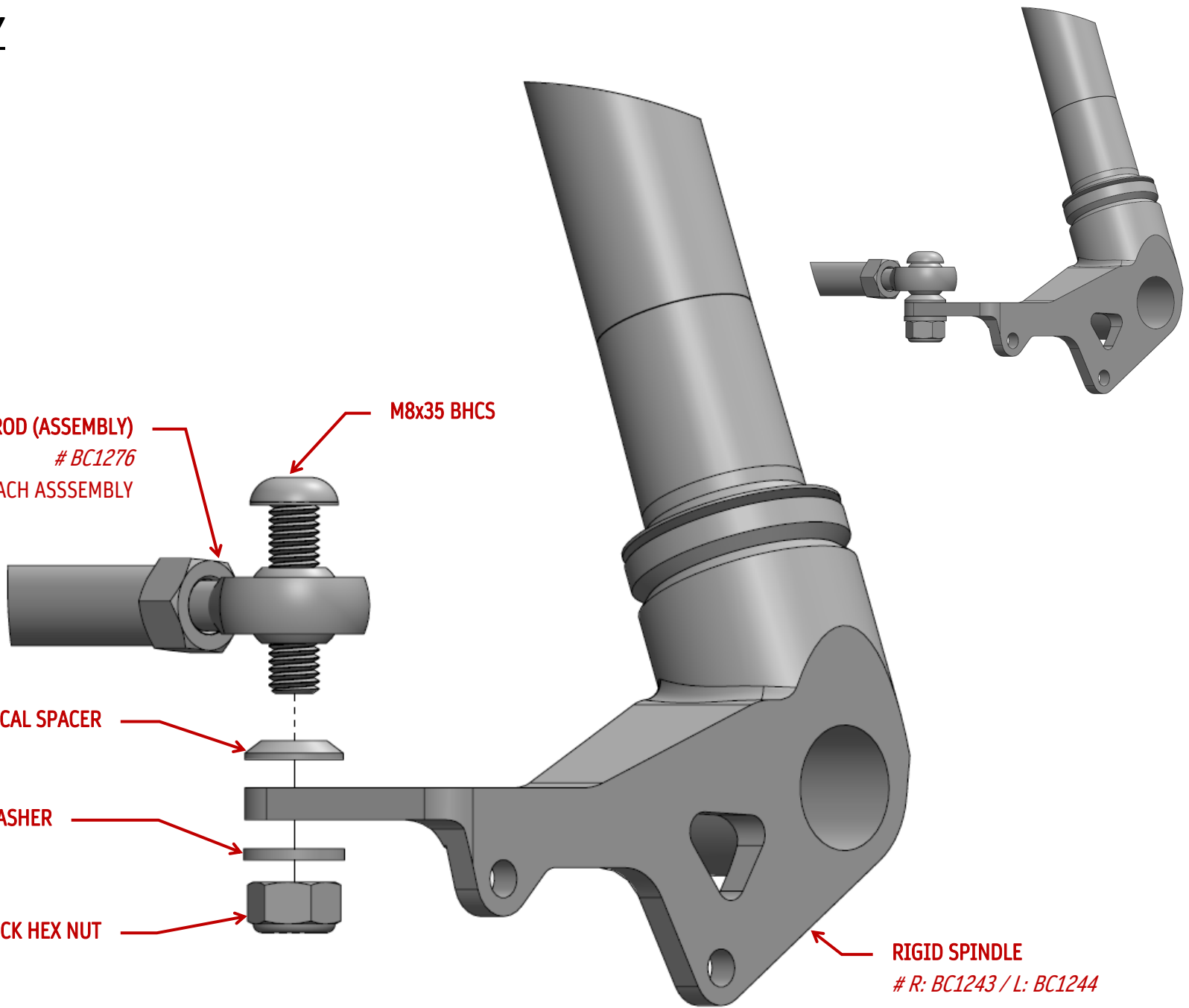
SLIM CONICAL SPACER

M8 WASHER

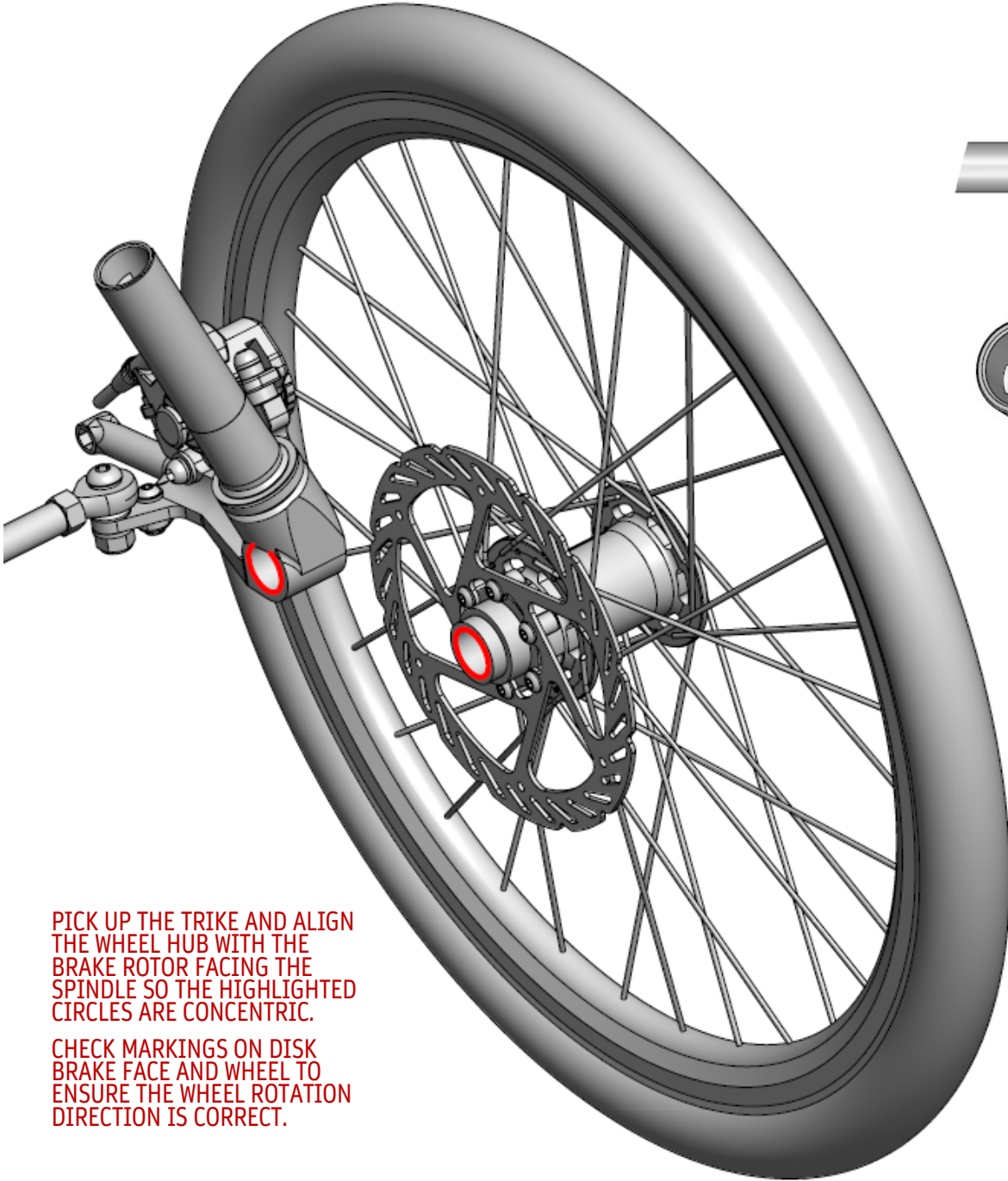
M8 NYLOCK HEX NUT

RIGID SPINDLE

R: BC1243 / L: BC1244

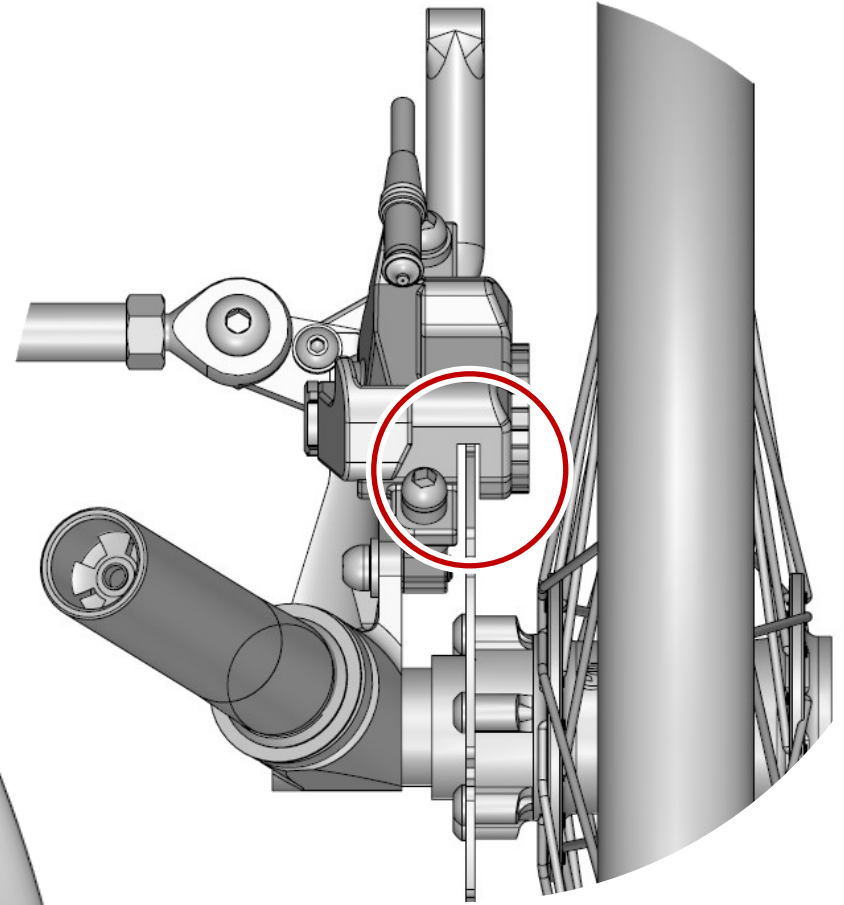


WHEEL INSTALL STEP 1



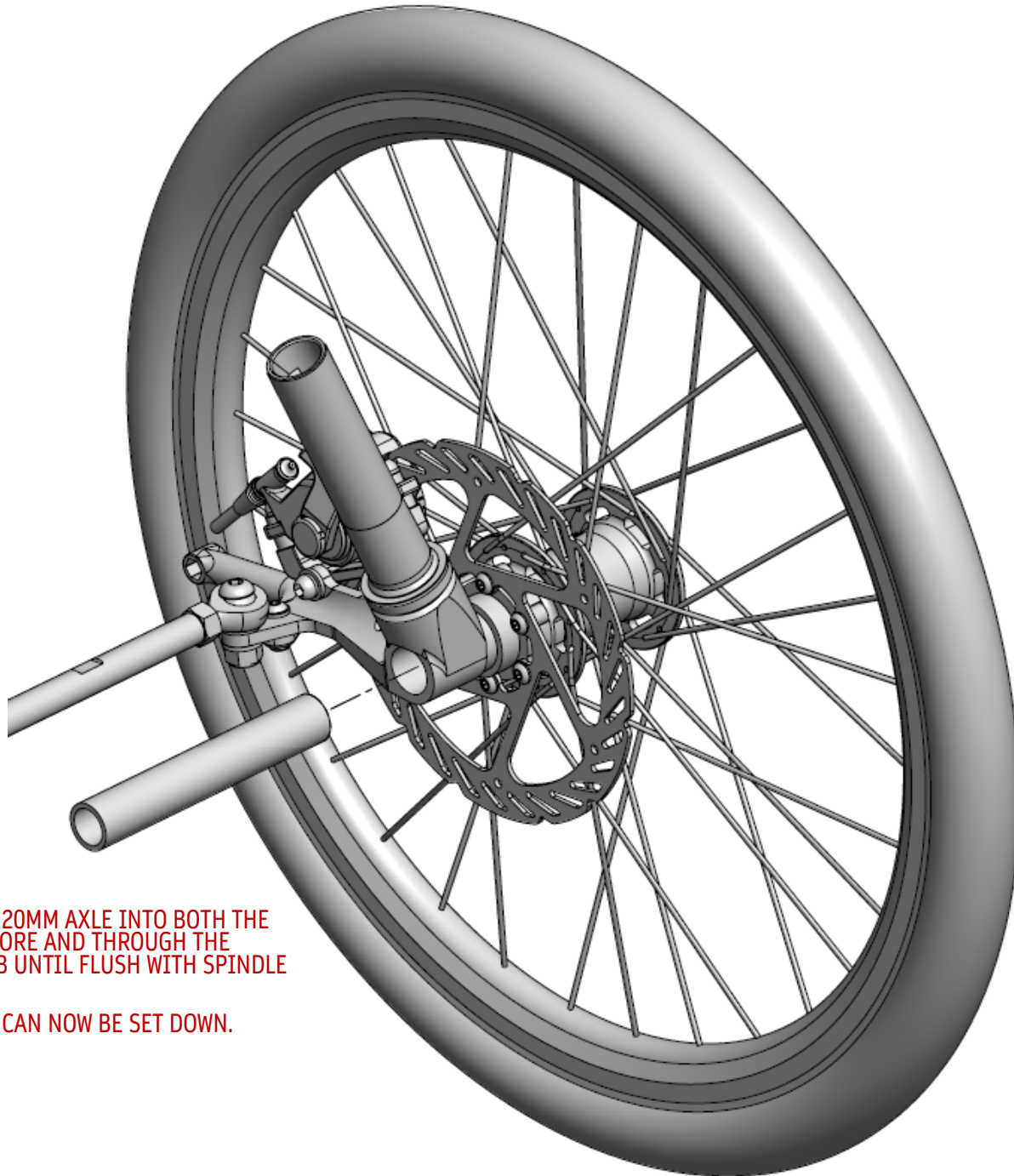
PICK UP THE TRIKE AND ALIGN THE WHEEL HUB WITH THE BRAKE ROTOR FACING THE SPINDLE SO THE HIGHLIGHTED CIRCLES ARE CONCENTRIC.

CHECK MARKINGS ON DISK BRAKE FACE AND WHEEL TO ENSURE THE WHEEL ROTATION DIRECTION IS CORRECT.



MAKE SURE THAT THE BRAKE ROTOR GOES IN THE CALIPER OPENING WHEN INSTALLING THE WHEEL.

WHEEL INSTALL STEP 2



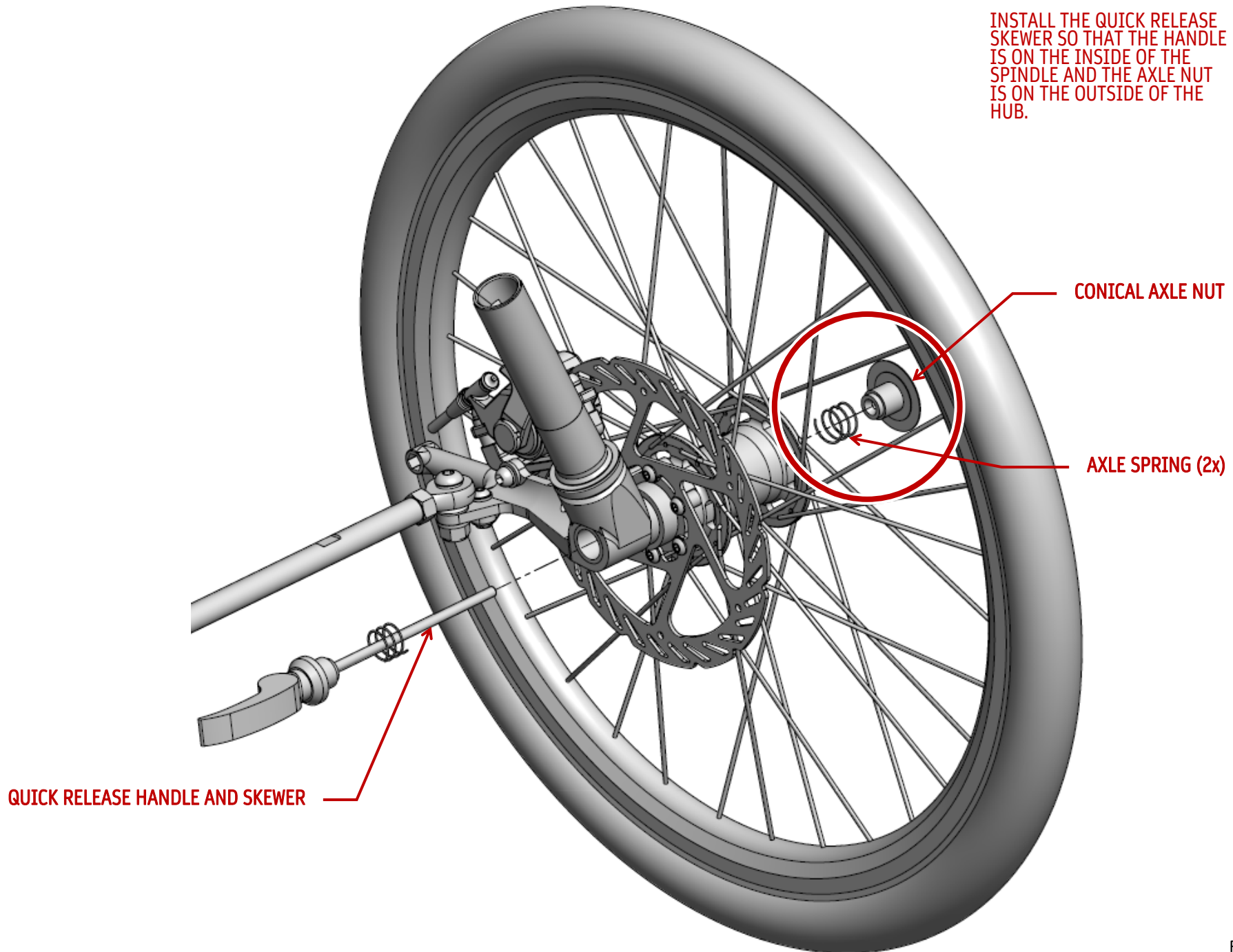
SLIDE THE 20MM AXLE INTO BOTH THE SPINDLE BORE AND THROUGH THE WHEEL HUB UNTIL FLUSH WITH SPINDLE SURFACE.

THE TRIKE CAN NOW BE SET DOWN.

WHEEL INSTALL STEP 3

INSTALL A SPRING ON EACH
SIDE OF THE AXLE ASSEMBLY.

INSTALL THE QUICK RELEASE
SKEWER SO THAT THE HANDLE
IS ON THE INSIDE OF THE
SPINDLE AND THE AXLE NUT
IS ON THE OUTSIDE OF THE
HUB.

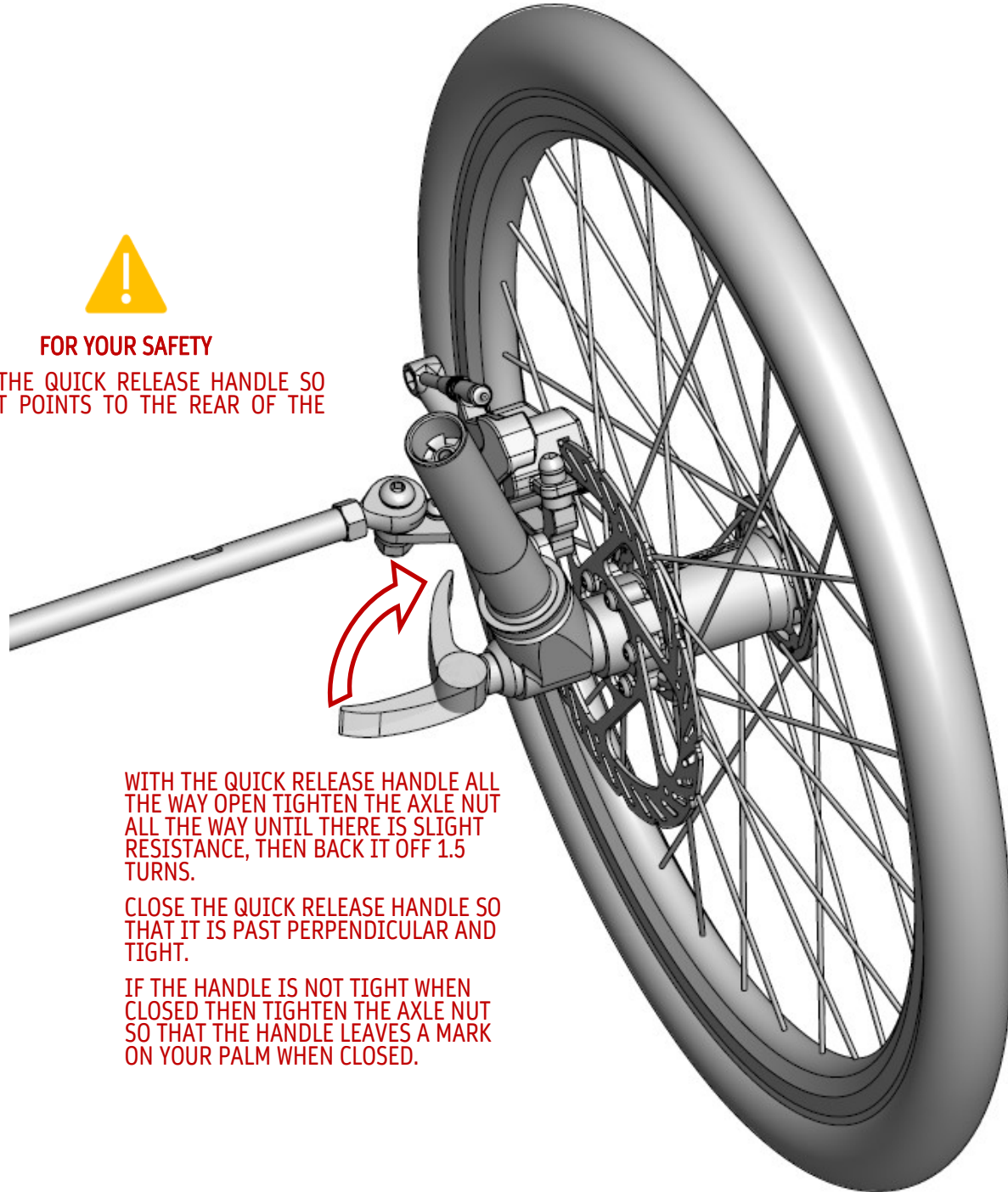


WHEEL INSTALL STEP 4



FOR YOUR SAFETY

CLOSE THE QUICK RELEASE HANDLE SO THAT IT POINTS TO THE REAR OF THE TRIKE



WITH THE QUICK RELEASE HANDLE ALL THE WAY OPEN TIGHTEN THE AXLE NUT ALL THE WAY UNTIL THERE IS SLIGHT RESISTANCE, THEN BACK IT OFF 1.5 TURNS.

CLOSE THE QUICK RELEASE HANDLE SO THAT IT IS PAST PERPENDICULAR AND TIGHT.

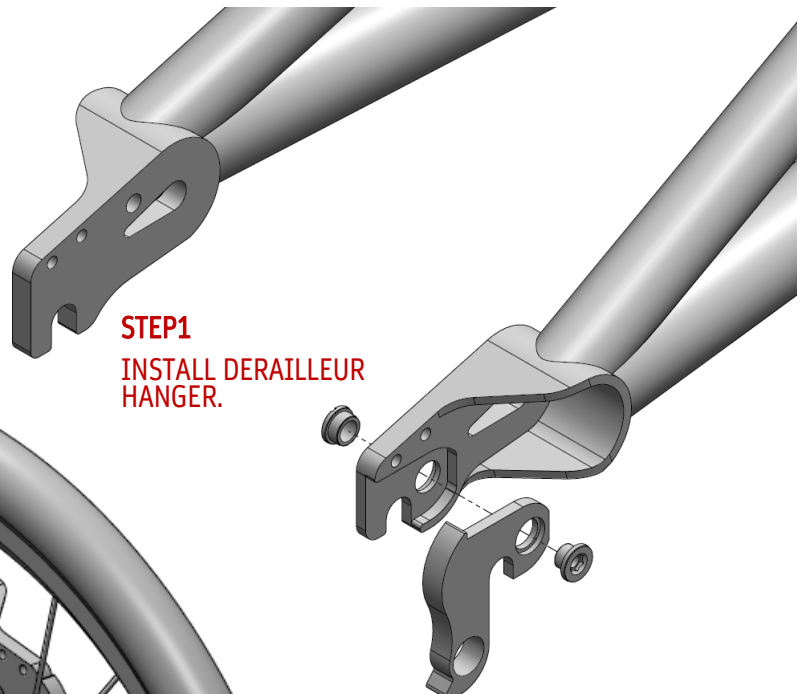
IF THE HANDLE IS NOT TIGHT WHEN CLOSED THEN TIGHTEN THE AXLE NUT SO THAT THE HANDLE LEAVES A MARK ON YOUR PALM WHEN CLOSED.

QUICK RELEASE HUB & HANGER INSTALL

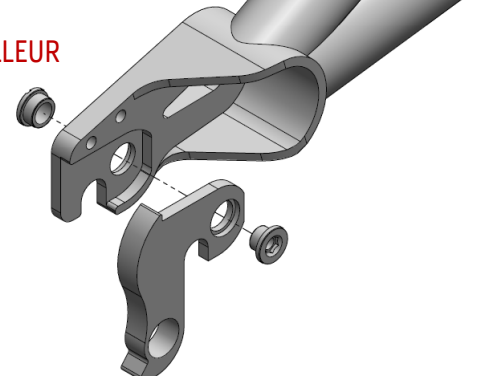


TIP:

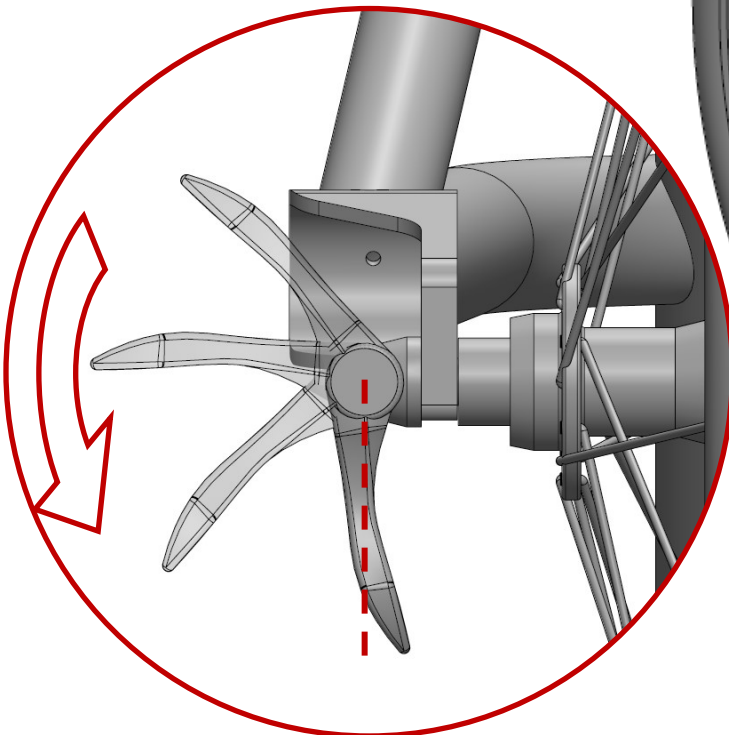
IF INSTALLED, SHIFT REAR DERAILLEUR TO SMALLEST COG TO MAKE TIRE INSTALL AND REMOVAL EASIER



STEP1
INSTALL DERAILLEUR HANGER.



DERAILLEUR HANGER W/ HARDWARE
800XMB-P



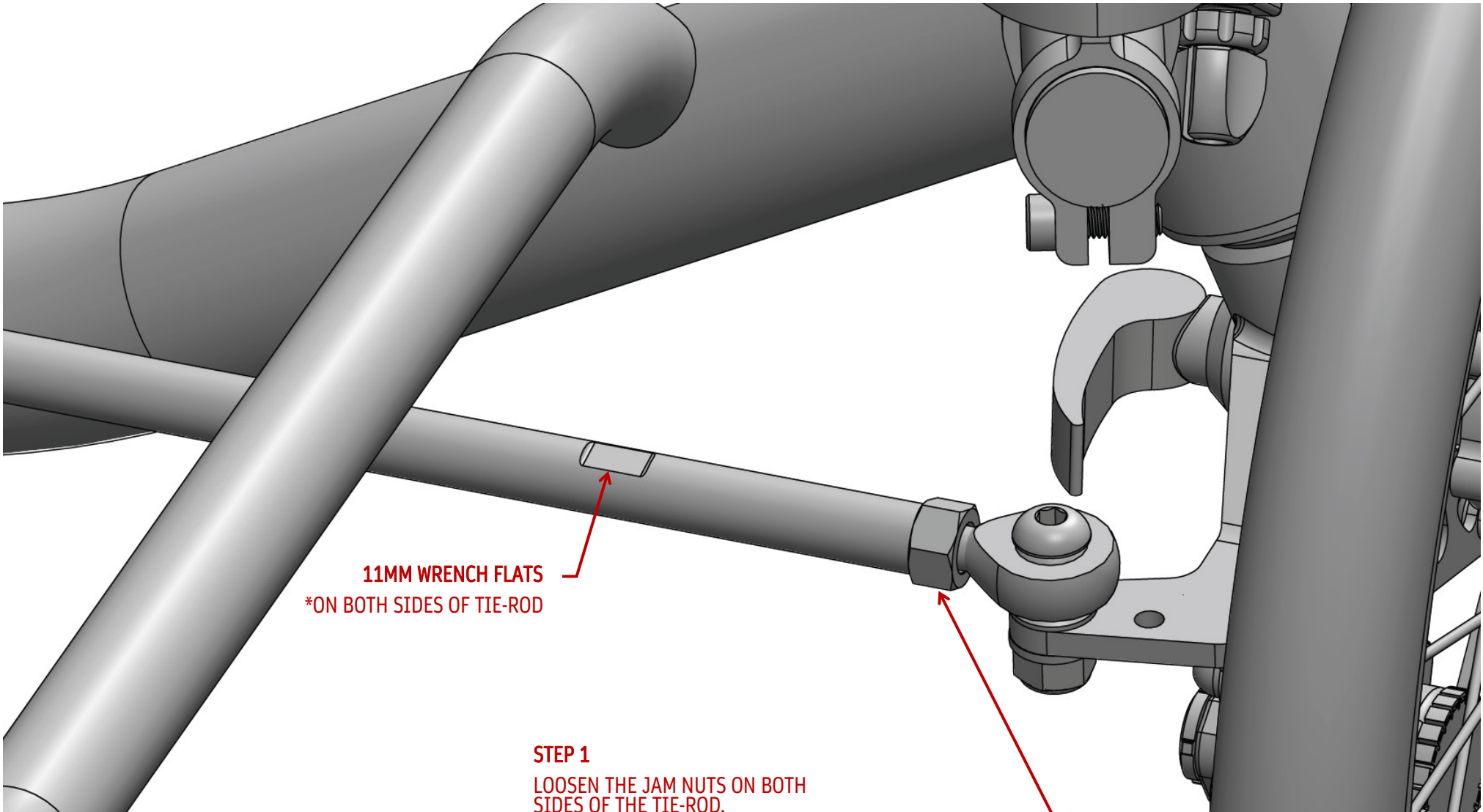
STEP3
WHILE PUSHING THE FRAME DOWN ON TO THE REAR WHEEL, TIGHTEN THE QUICK RELEASE NUT SO THAT WHEN CLOSING THE QUICK RELEASE HANDLE IT LEAVES AN IMPRINT IN PALM.

STEP2
INSTALL HUB IN TO REAR DROPOUTS.



CHECK THE TIGHTNESS OF THE REAR WHEEL BEFORE EVERY RIDE

TIE-ROD ADJUSTMENT



11MM WRENCH FLATS
*ON BOTH SIDES OF TIE-ROD

STEP 1
LOOSEN THE JAM NUTS ON BOTH
SIDES OF THE TIE-ROD.
NOTE THAT ONE SIDE OF THE TIE-
ROD IS REVERSE THREADED.

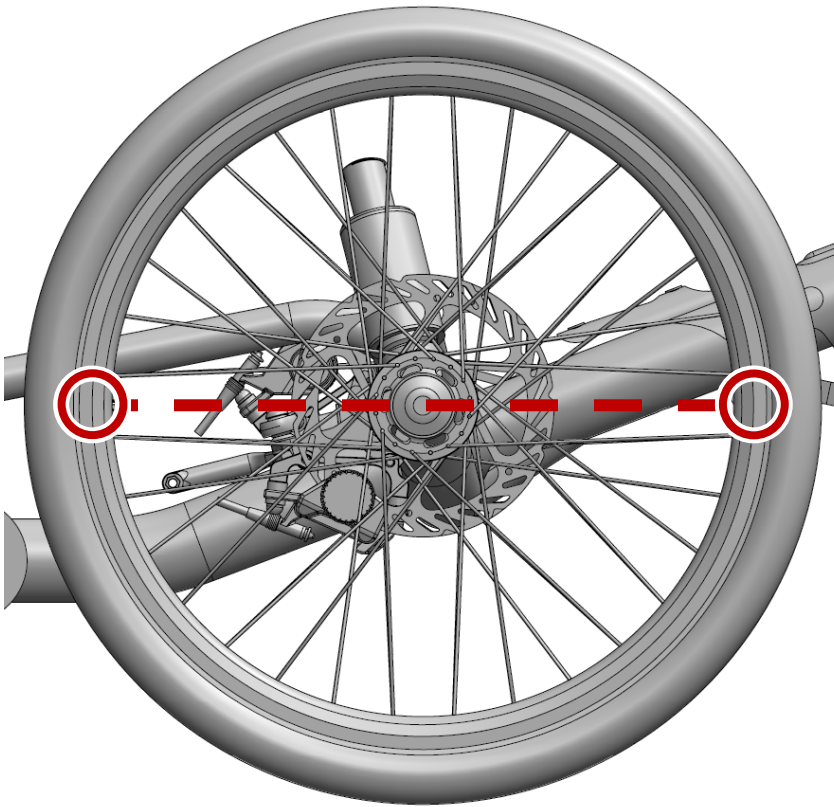
JAM NUT - 14MM WRENCH
*ONE SIDE IS REVERSE THREADED

TIE-ROD ADJUSTMENT CONTINUED

STEP 2

WITH THE WHEELS POINTING AS STRAIGHT AS POSSIBLE, USE THE CALIBRO TOOL OR A TAPE MEASURE TO MEASURE ACROSS THE FRONT WHEELS AT THE RIM FROM AXLE HEIGHT; TWO POINTS CIRCLED BELOW.

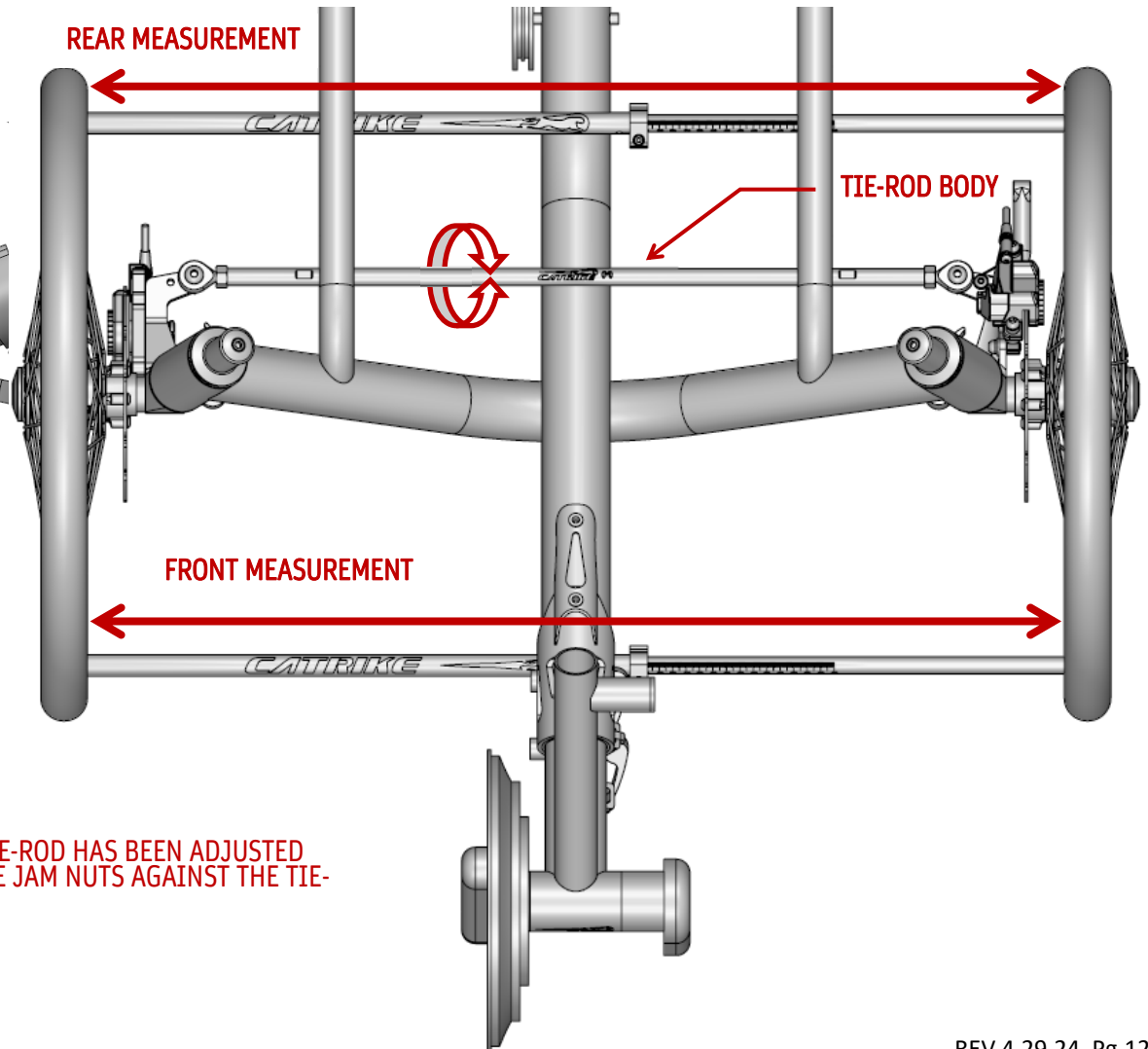
COMPARE THE MEASUREMENTS FROM BOTH POINTS.



STEP 3

USING THE MEASUREMENTS TAKEN FROM THE PREVIOUS STEP, ADJUST THE TIE-ROD BY SPINNING THE MAIN BODY SO THAT THE WHEELS ARE TOED-IN A MAXIMUM OF 0-2MM.

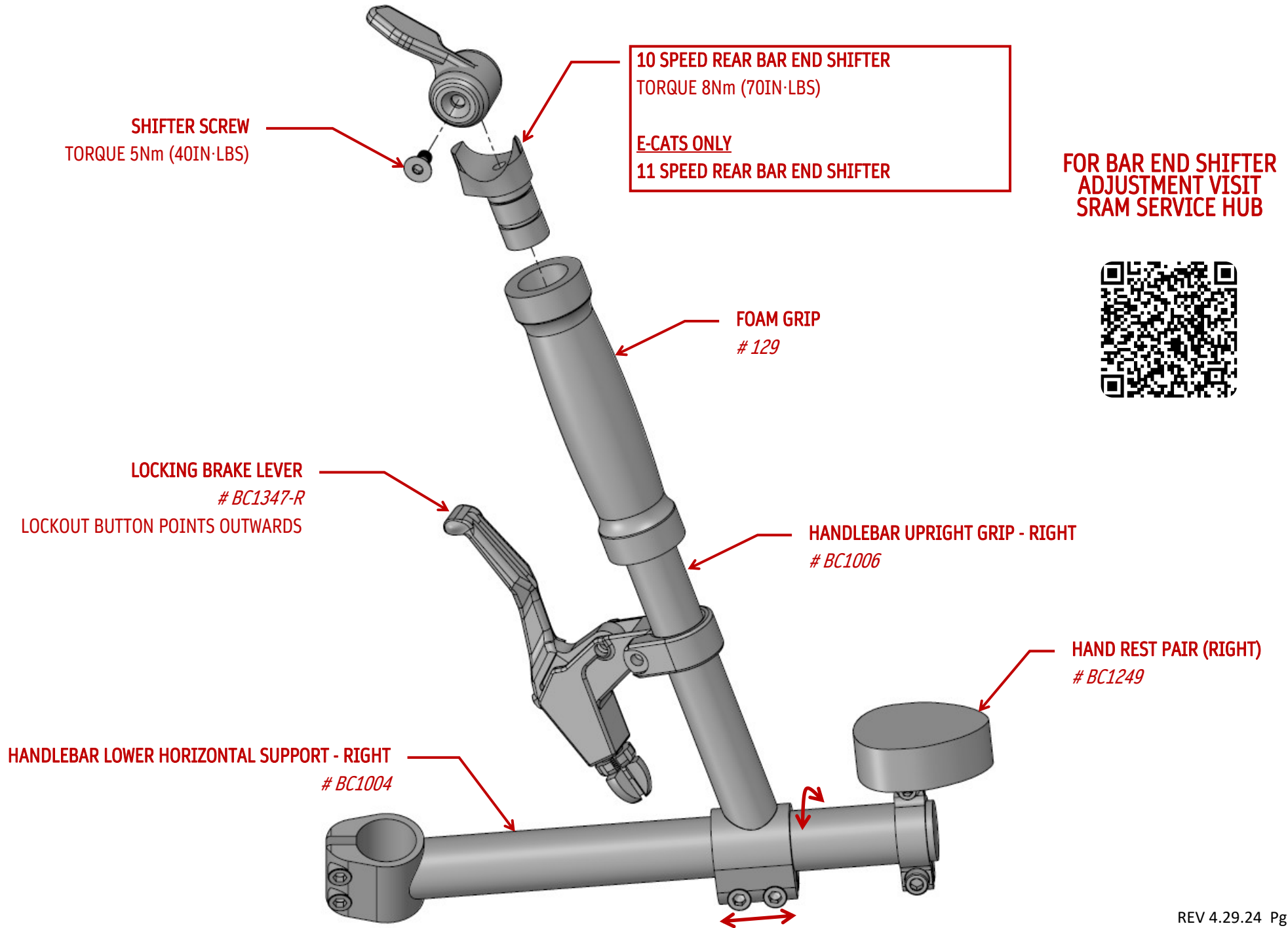
IN OTHER WORDS THE MEASUREMENT FROM THE FRONT SHOULD BE 0-2MM SMALLER THAN THE MEASUREMENT TAKEN FROM THE REAR OF THE RIM



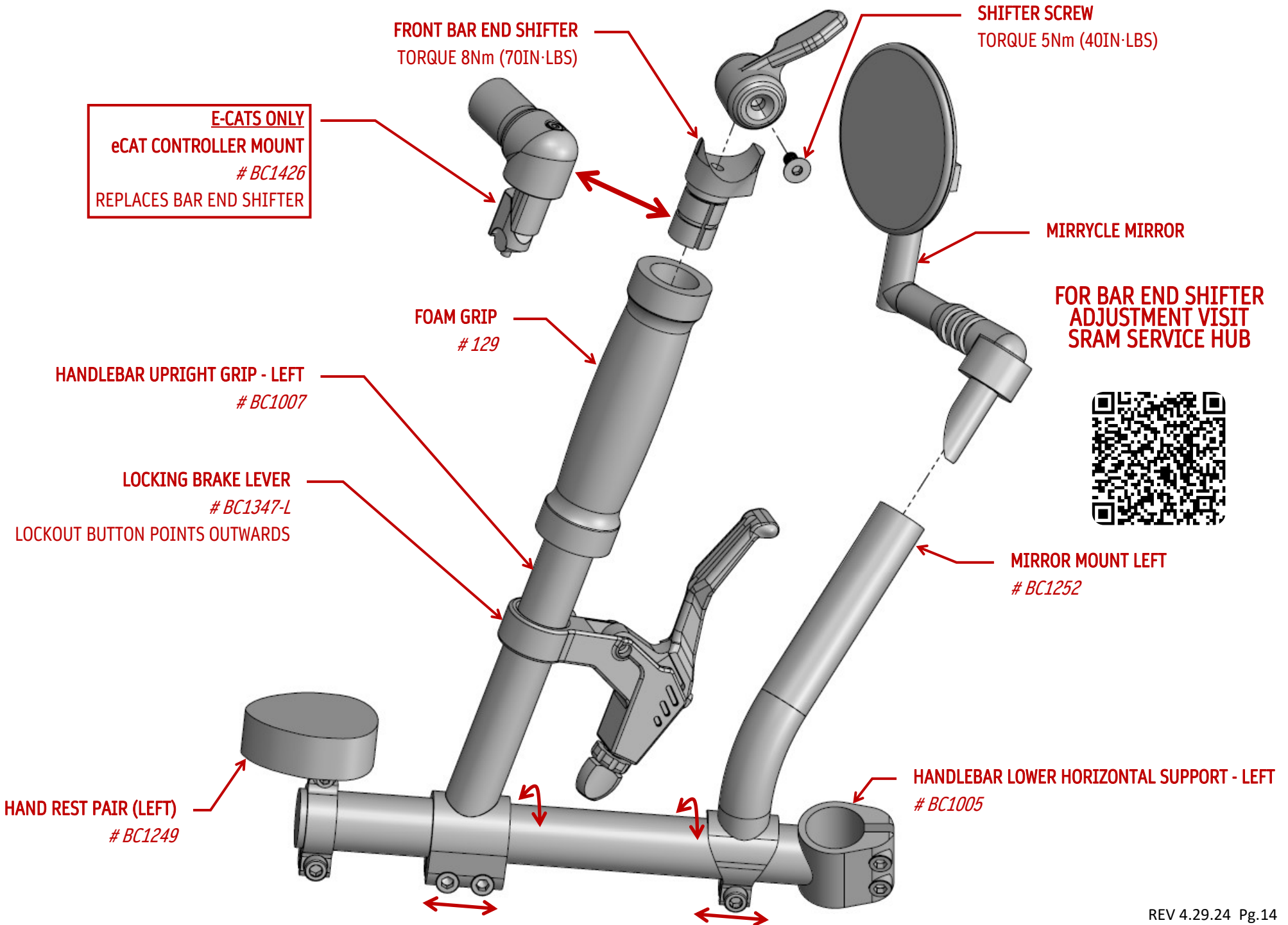
STEP 4

ONCE THE TIE-ROD HAS BEEN ADJUSTED TIGHTEN THE JAM NUTS AGAINST THE TIE-ROD BODY.

STANDARD HANDLEBAR ASSEMBLY RIGHT



STANDARD HANDLEBAR ASSEMBLY LEFT



BOOM ADJUSTMENT



WHILE SITTING, SLIDE BOOM UP TO HEEL OF FULLY EXTENDED LEG.

BOOM CAN BE CUT FOR SHORTER RIDERS.

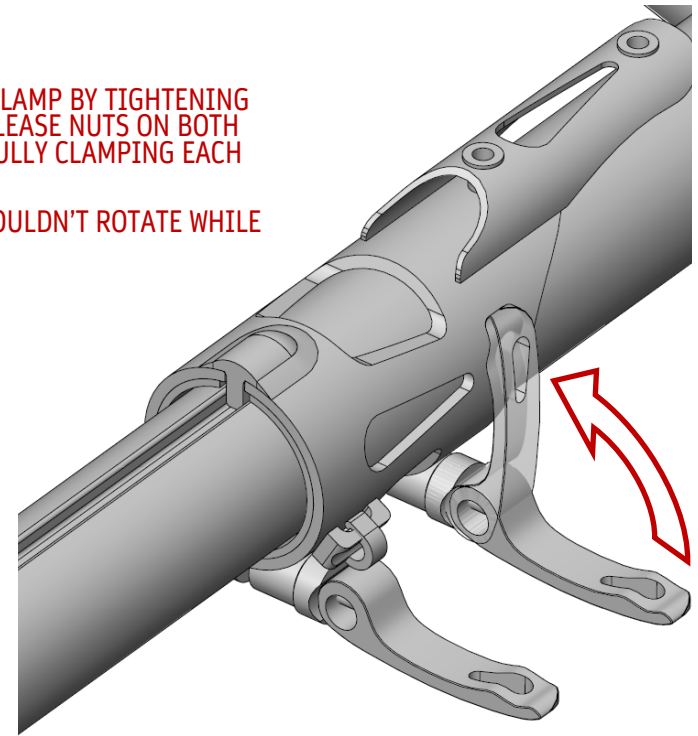


ONCE CLIPPED IN, THE EXTENDED LEG SHOULD NOW HAVE A SLIGHT BEND.

BOOM ADJUSTMENT IS UP TO RIDER PREFERENCE.

CLOSE BOOM CLAMP BY TIGHTENING THE QUICK RELEASE NUTS ON BOTH LEVERS AND FULLY CLAMPING EACH HANDLE.

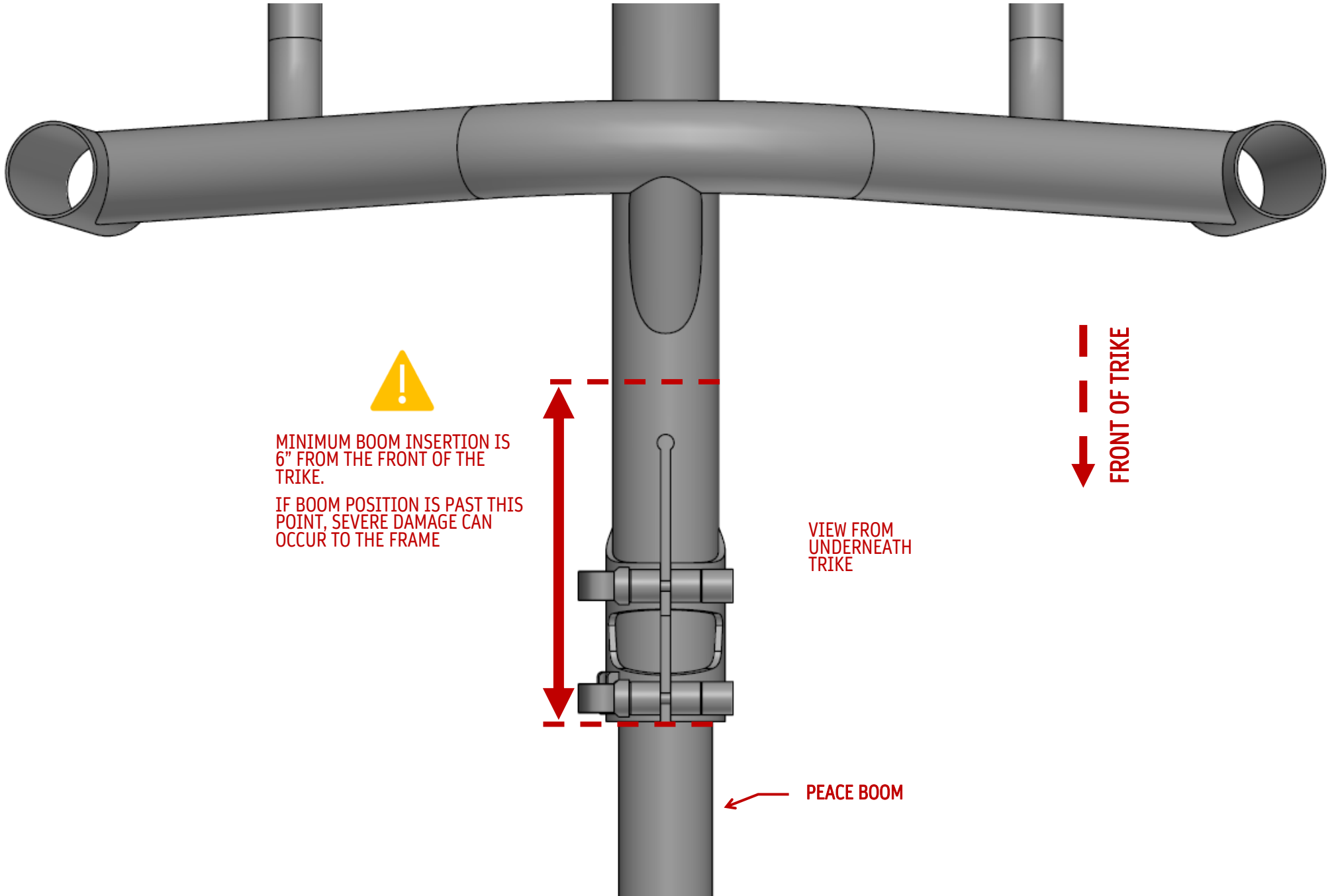
THE BOOM SHOULDN'T ROTATE WHILE PEDALING.



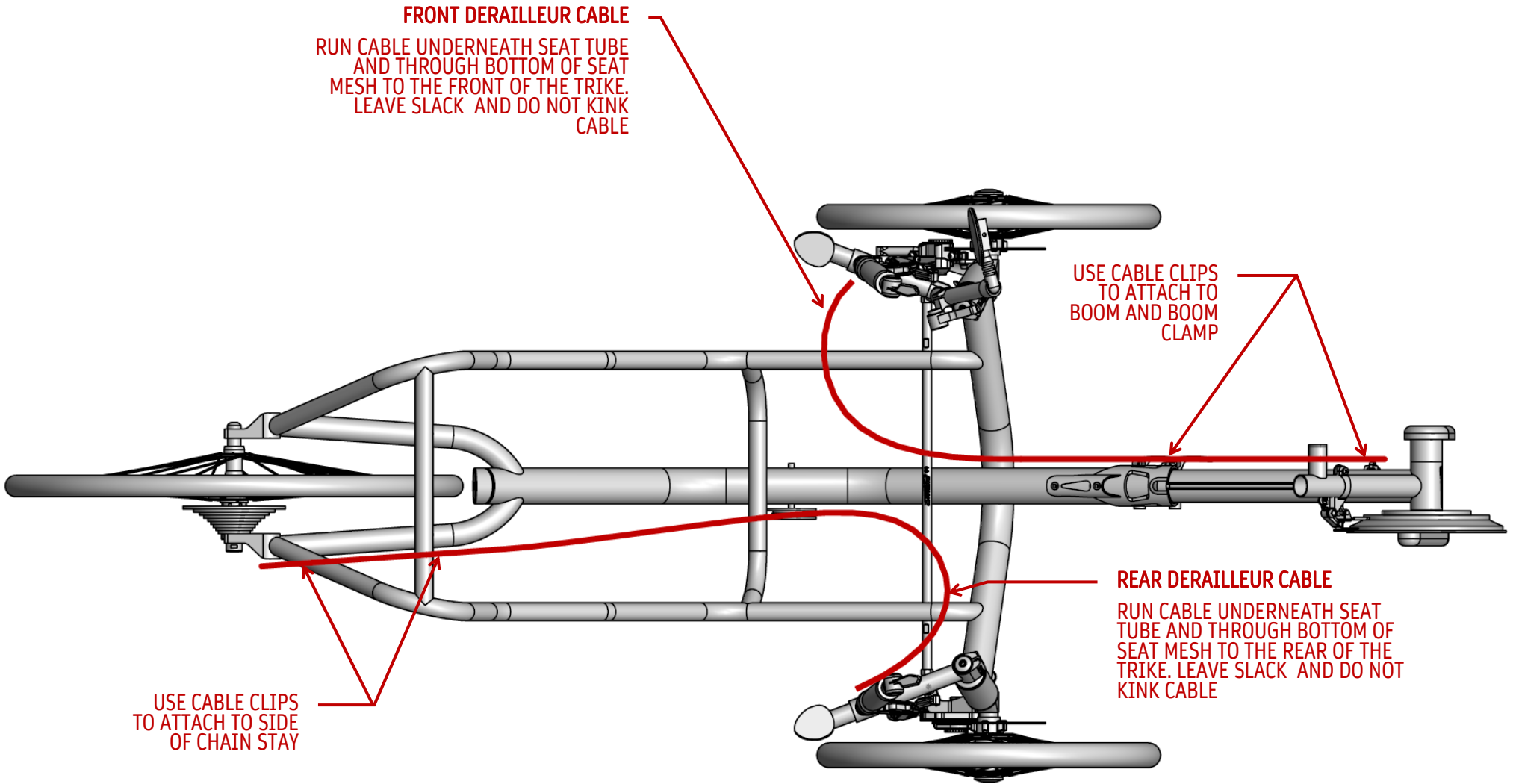
CLIPLESS SHOES ARE STRONGLY RECCOMENDED

SEE WARNING ON NEXT PAGE REGARDING MINIMUM BOOM INSERTION

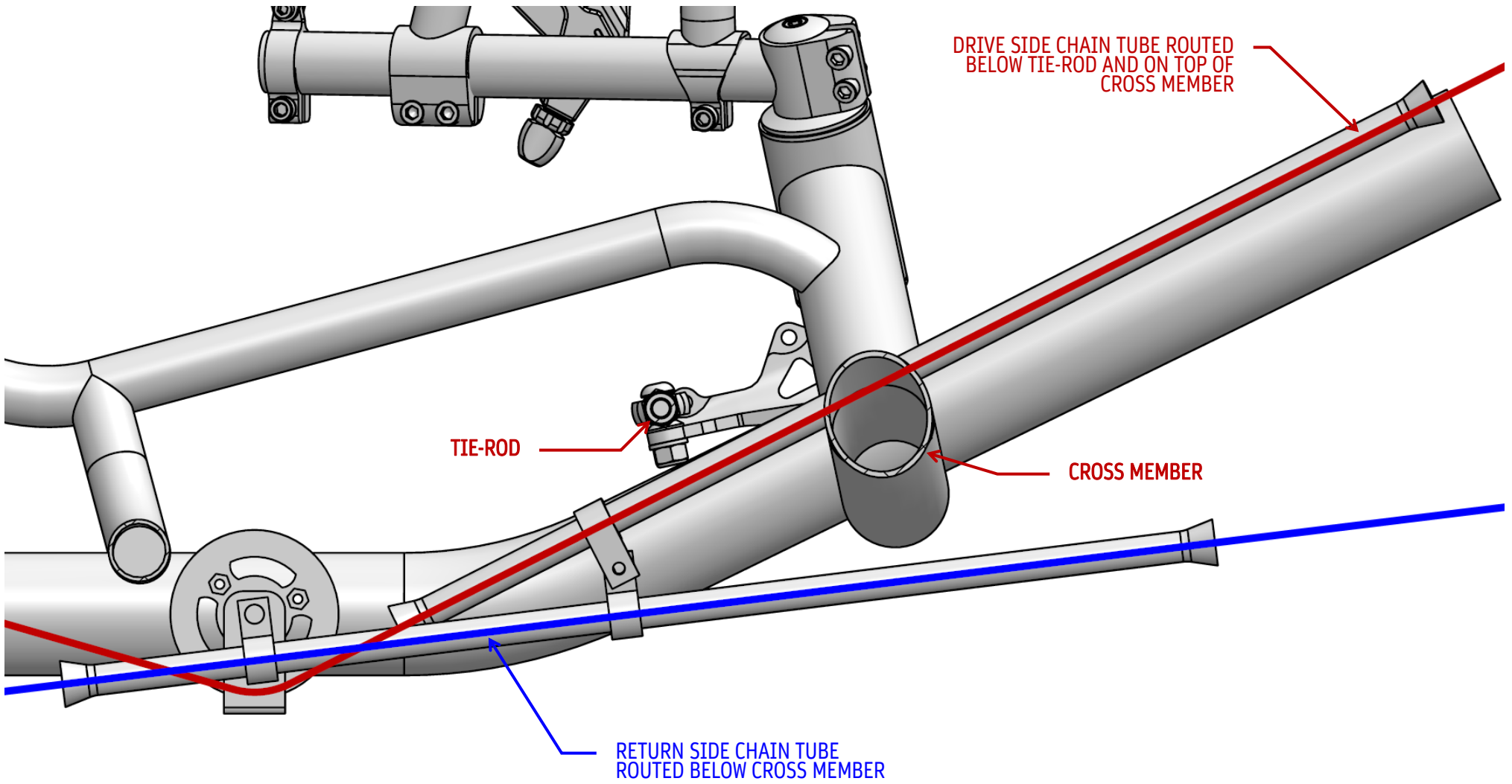
BOOM INSERTION



CABLE ROUTING



CHAIN ROUTING



EKIT BATTERY CLAMP ASSEMBLY


**DO NOT TIGHTEN
BOLTS ALL THE
WAY YET**

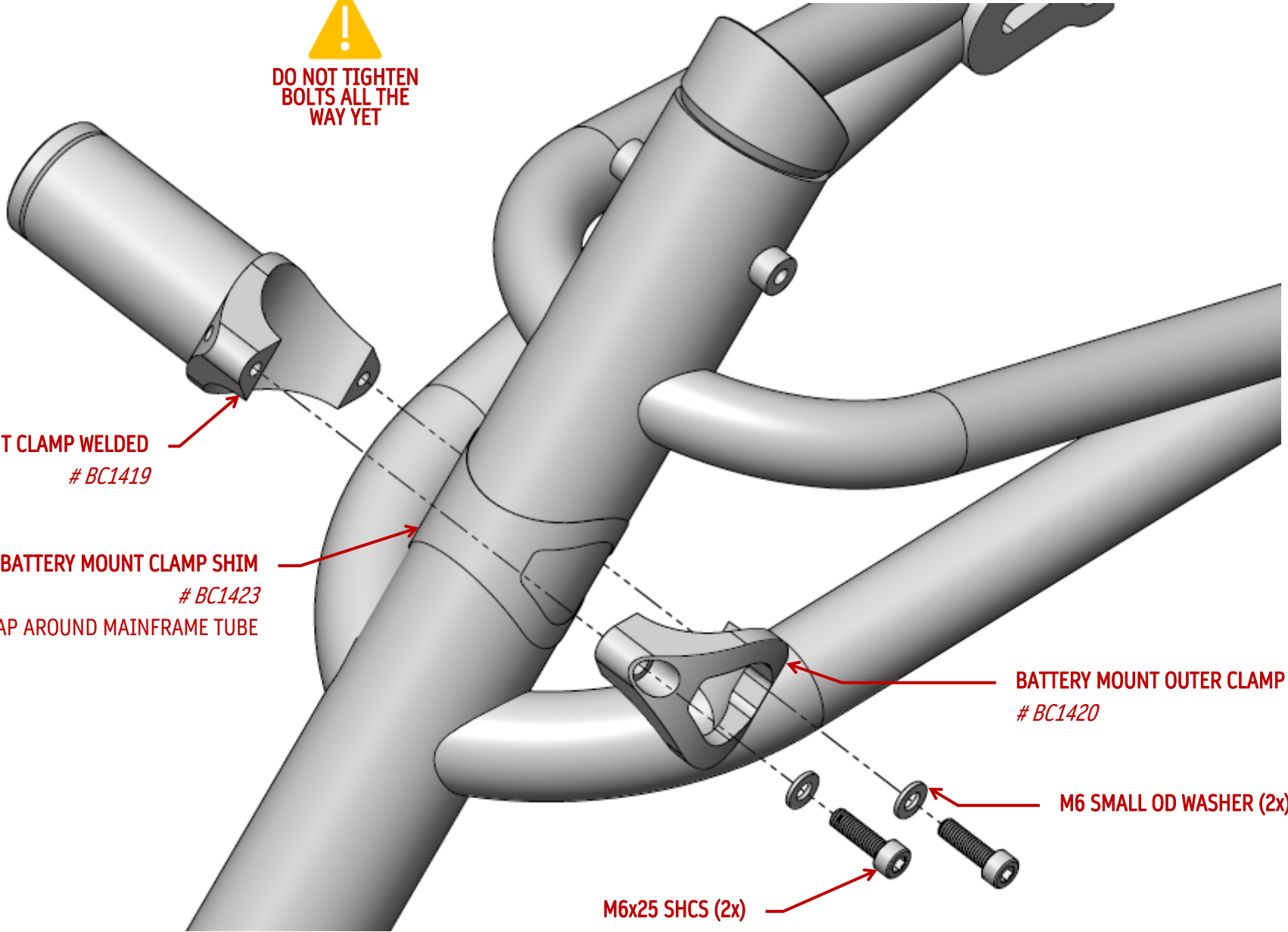
BATTERY MOUNT CLAMP WELDED
BC1419

BATTERY MOUNT CLAMP SHIM
BC1423
WRAP AROUND MAINFRAME TUBE

BATTERY MOUNT OUTER CLAMP
BC1420

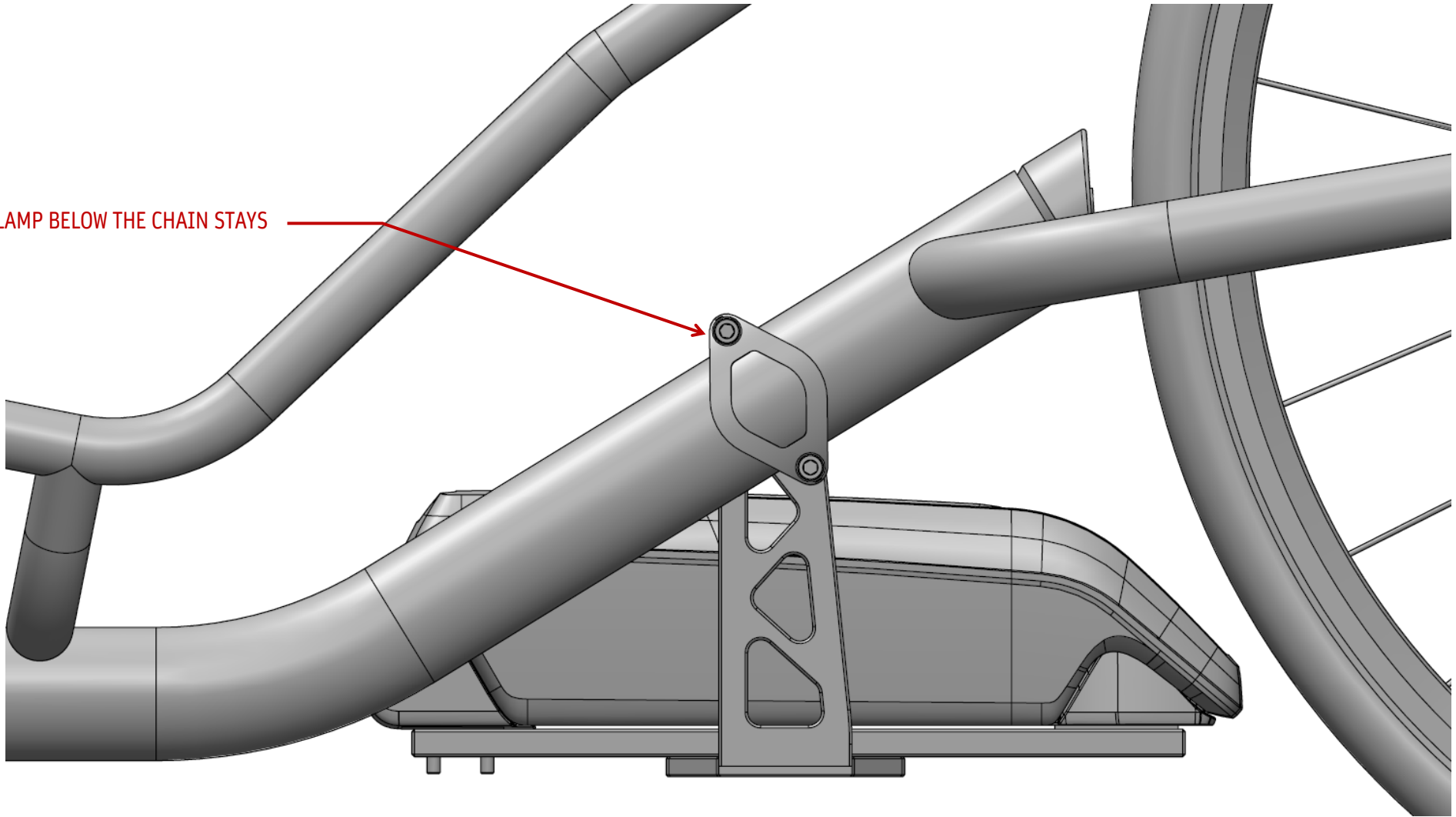
M6 SMALL OD WASHER (2x)

M6x25 SHCS (2x)
LIGHTLY GREASE THREADS

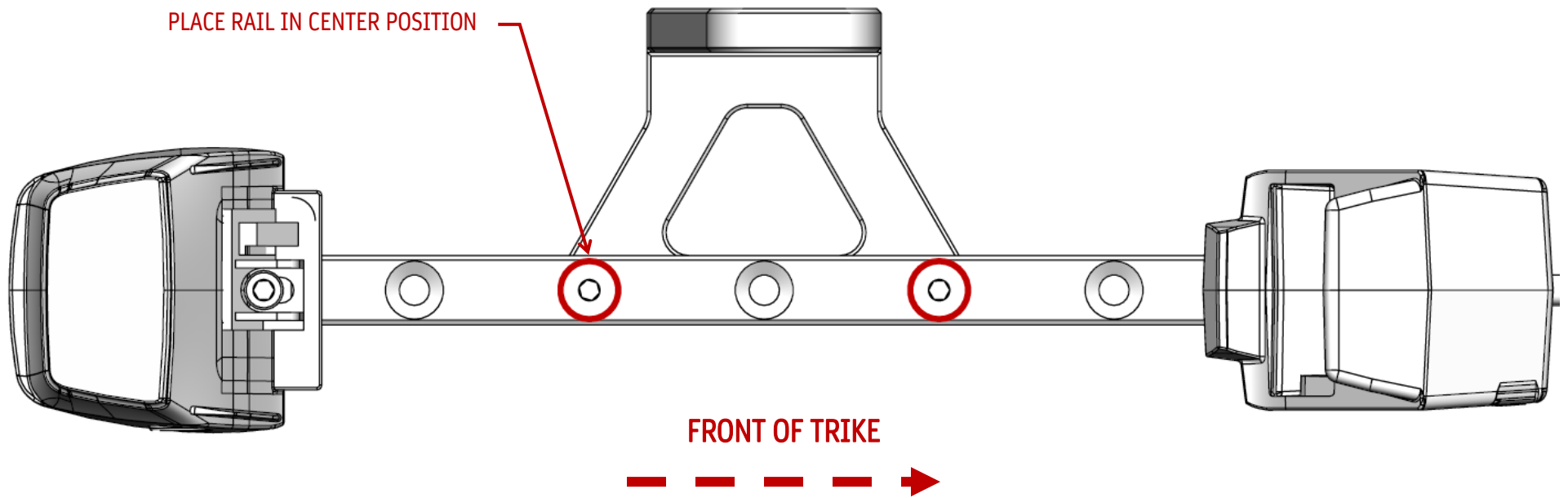


EKIT BATTERY CLAMP POSITION

PLACE CLAMP BELOW THE CHAIN STAYS



EKIT BATTERY RAIL POSITION



EKIT BATTERY RAIL ASSEMBLY



**DO NOT TIGHTEN
BOLTS ALL THE
WAY YET UNLESS
SPECIFIED**

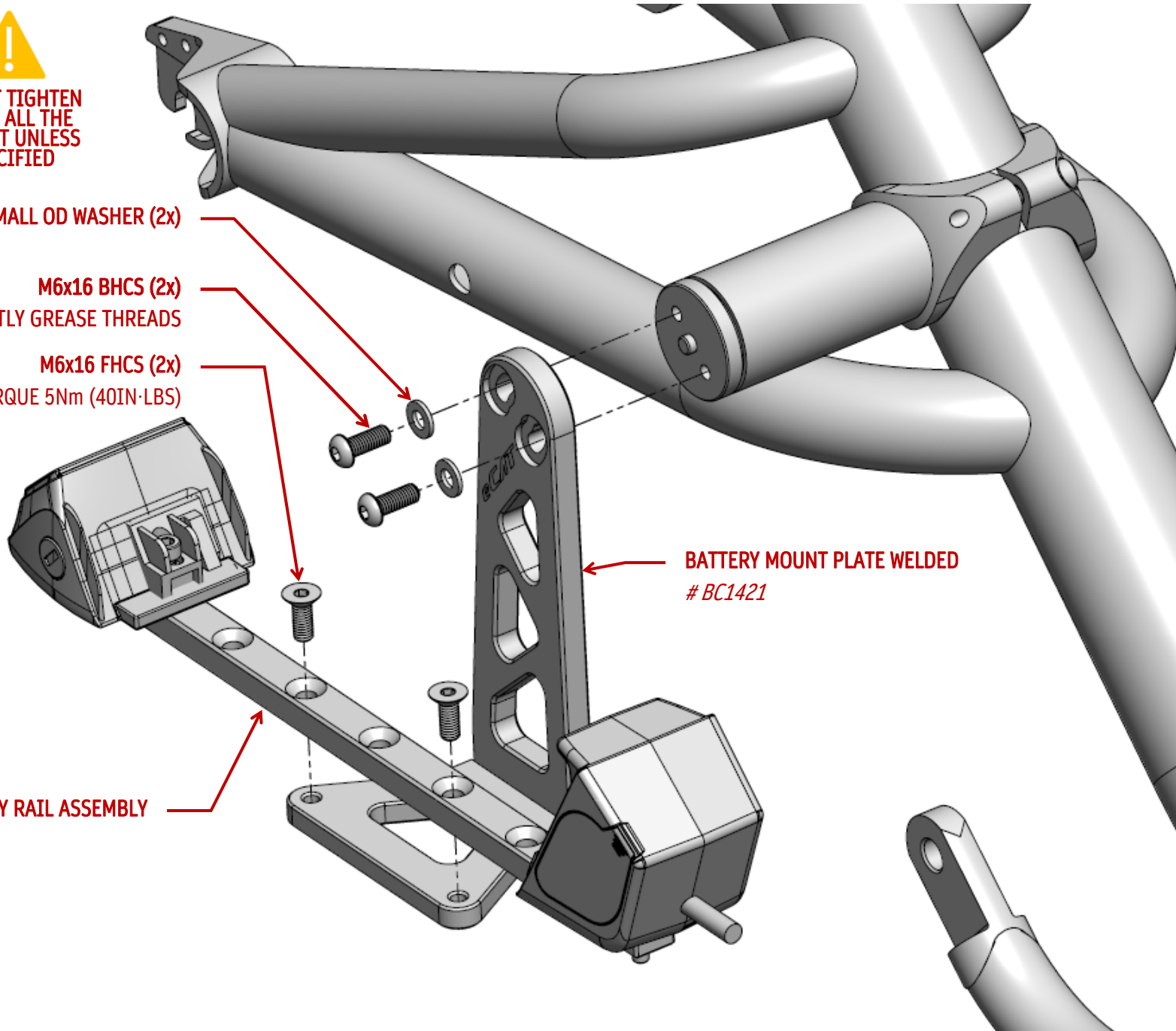
M6 SMALL OD WASHER (2x)

**M6x16 BHCS (2x)
LIGHTLY GREASE THREADS**

**M6x16 FHCS (2x)
TORQUE 5Nm (40IN-LBS)**

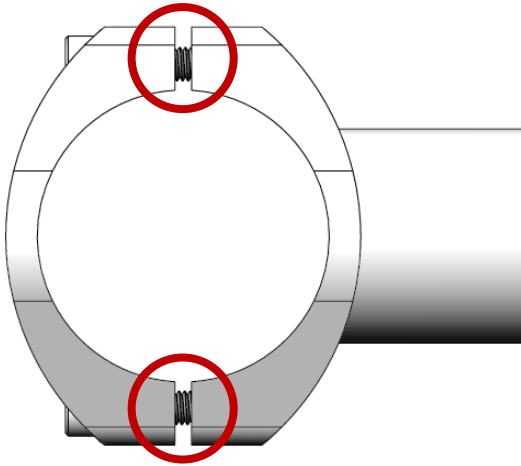
**BATTERY MOUNT PLATE WELDED
BC1421**

BATTERY RAIL ASSEMBLY

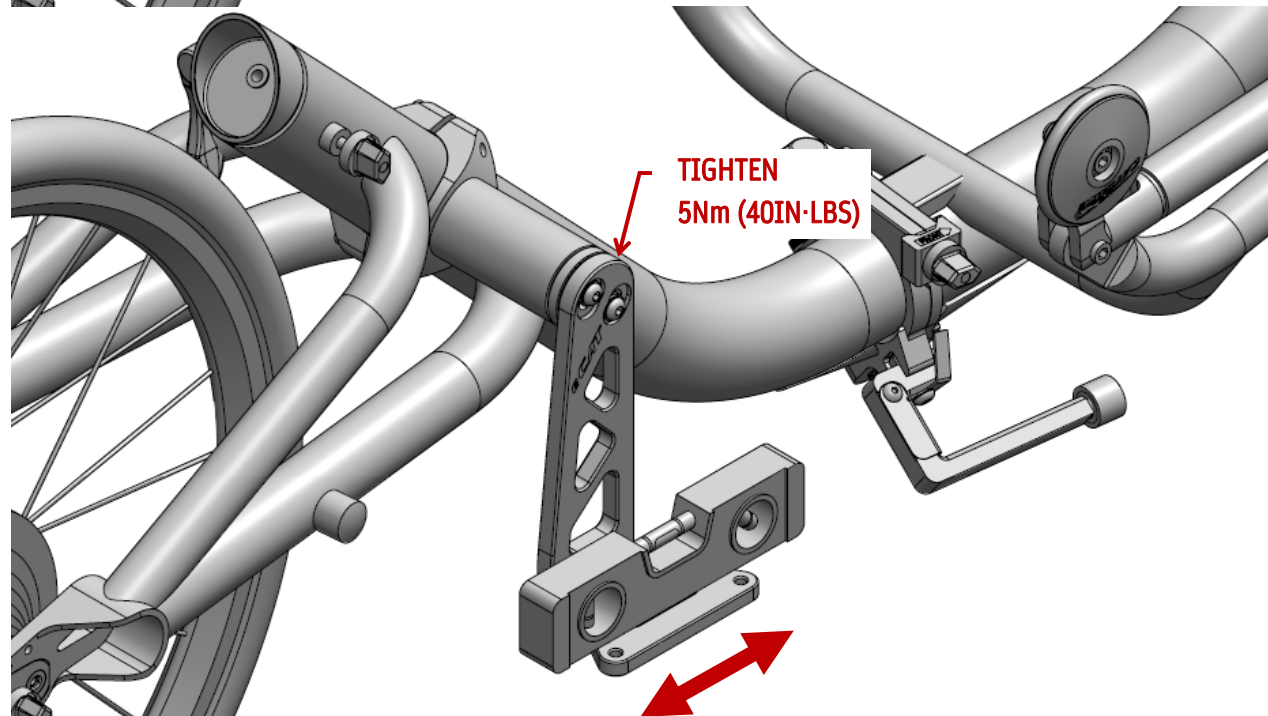
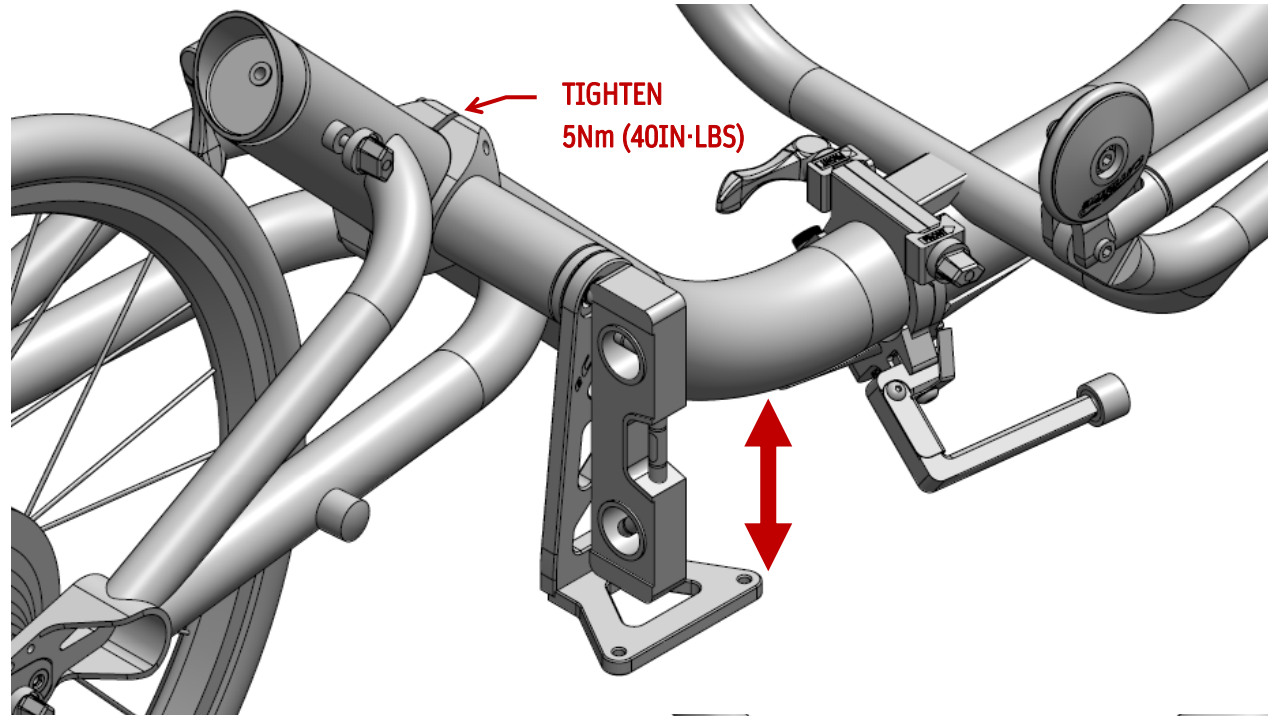


EKIT BATTERY CLAMP LEVEL

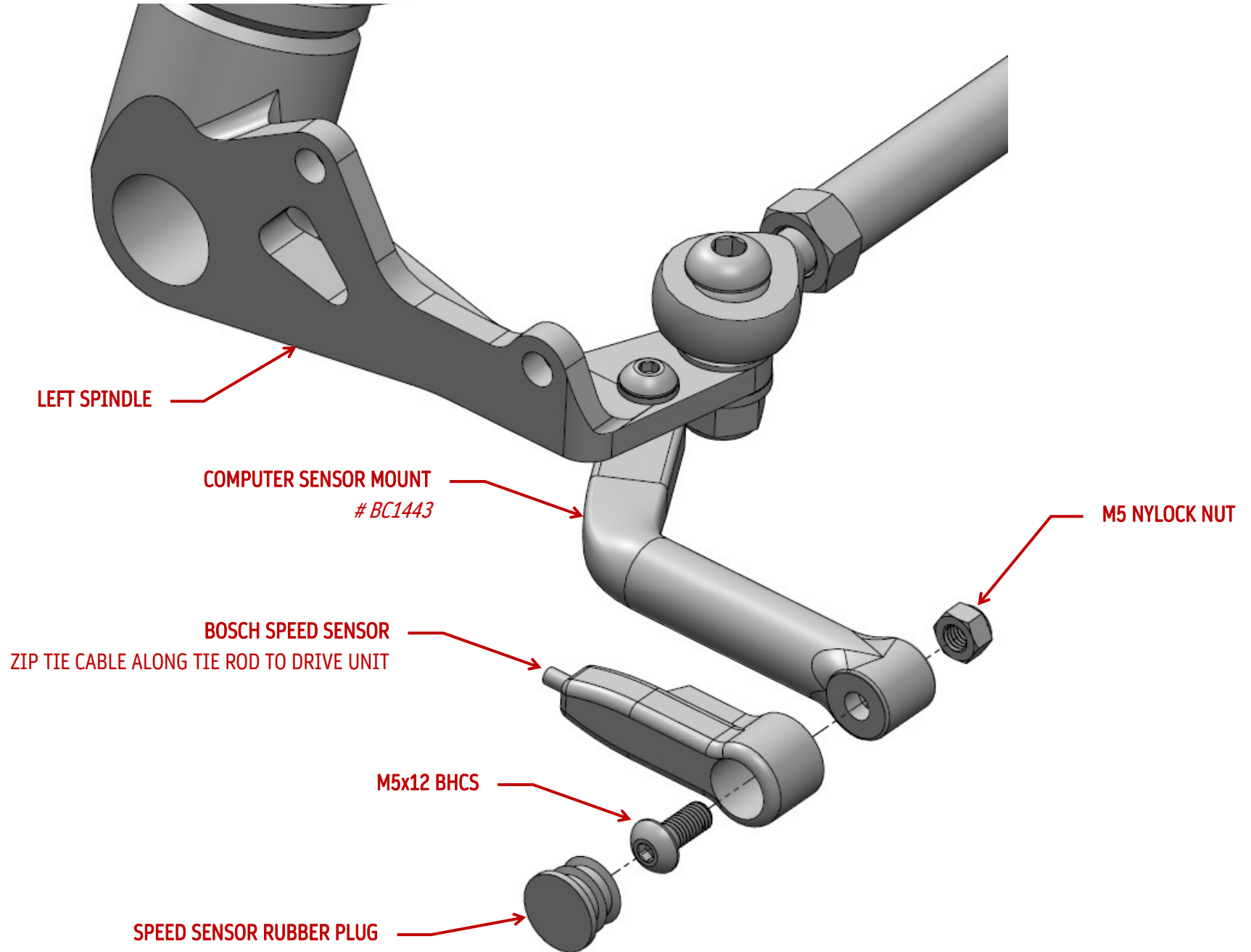
LEVEL EACH OF THE SHOWN AXIS FOR THE BATTERY CLAMP AND BRACKET BEFORE TIGHTENING THE RESPECTIVE BOLTS



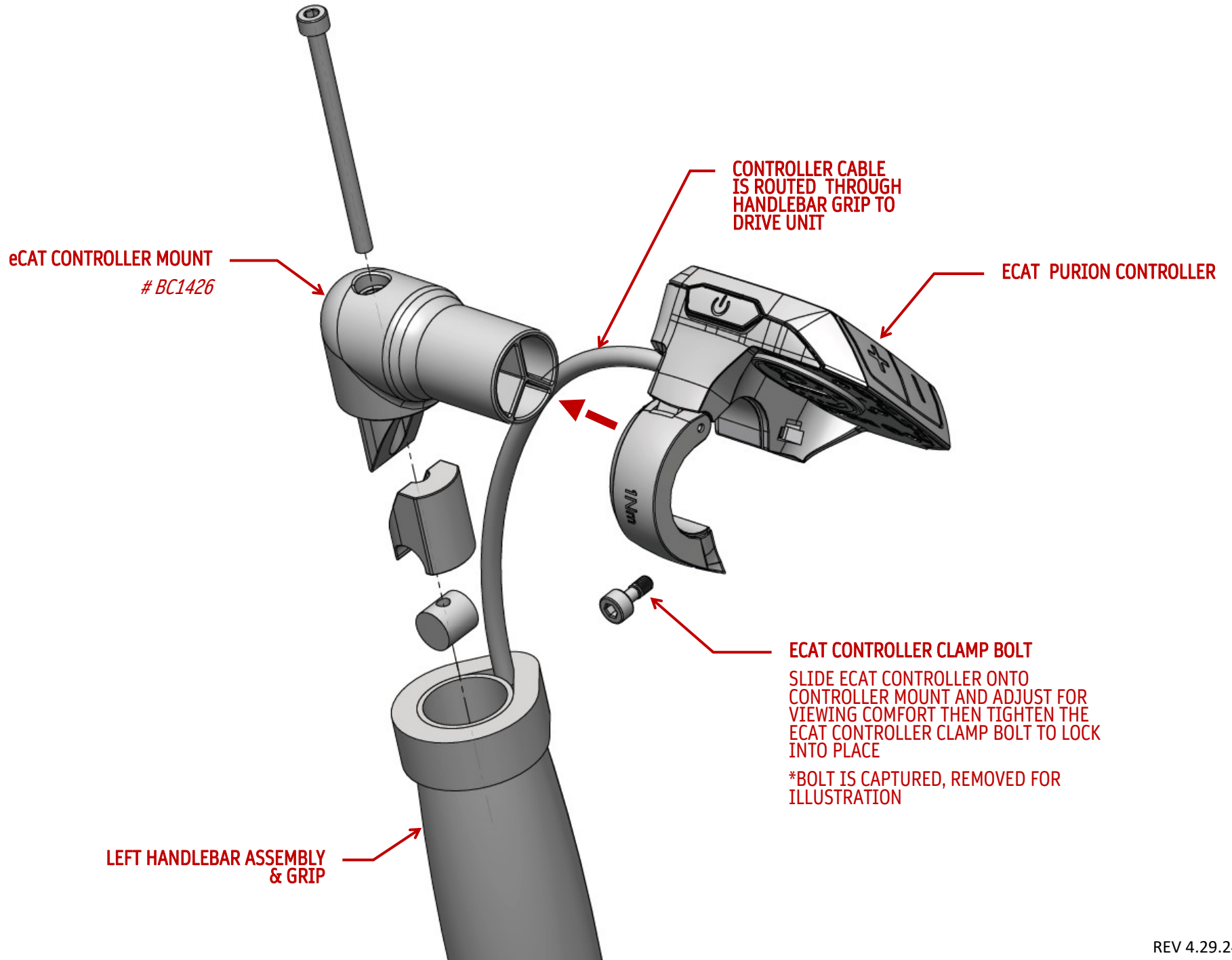
ENSURE EVEN GAP ON CLAMP WHEN TIGHTENING



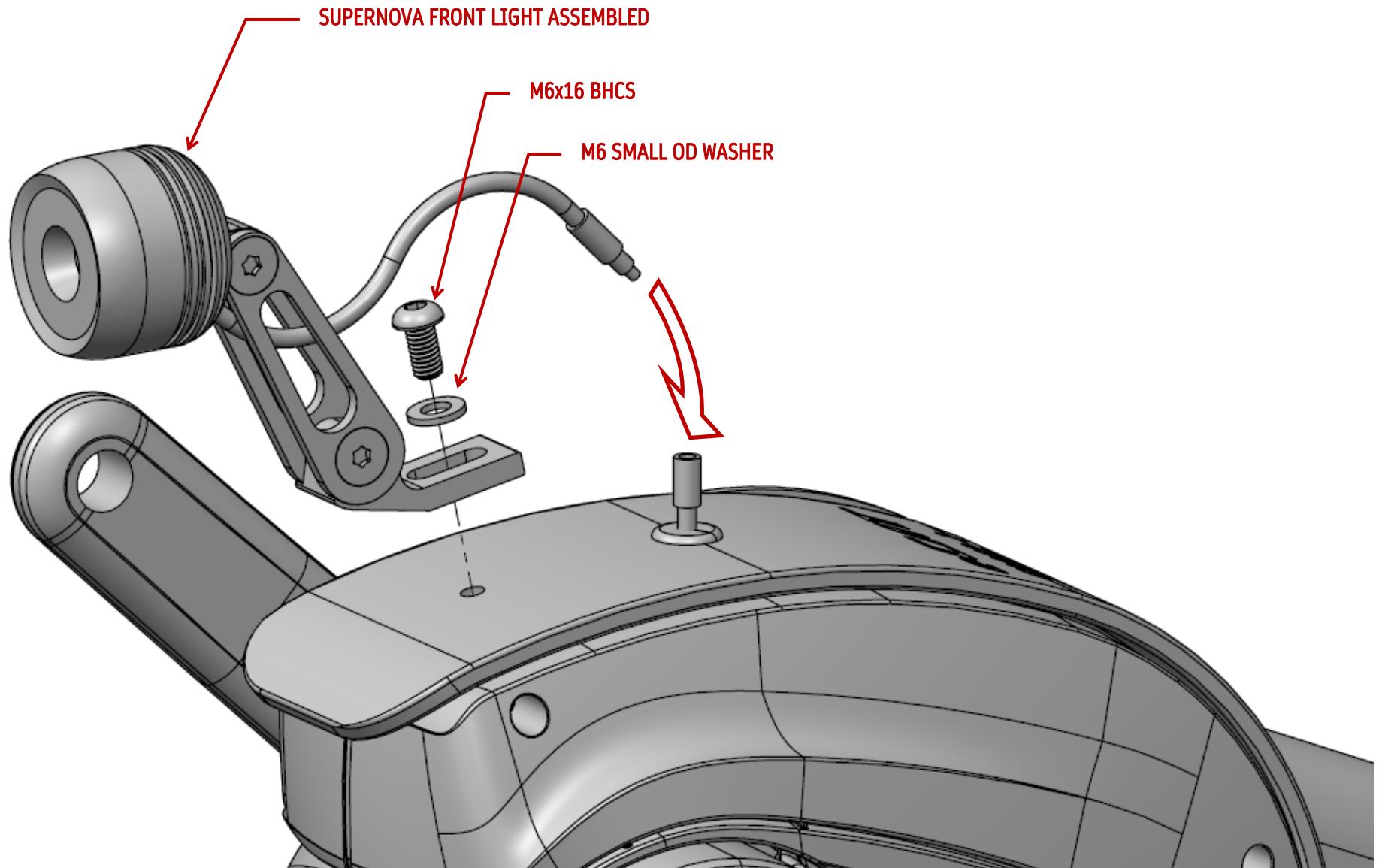
EKIT SPEED SENSOR ASSEMBLY



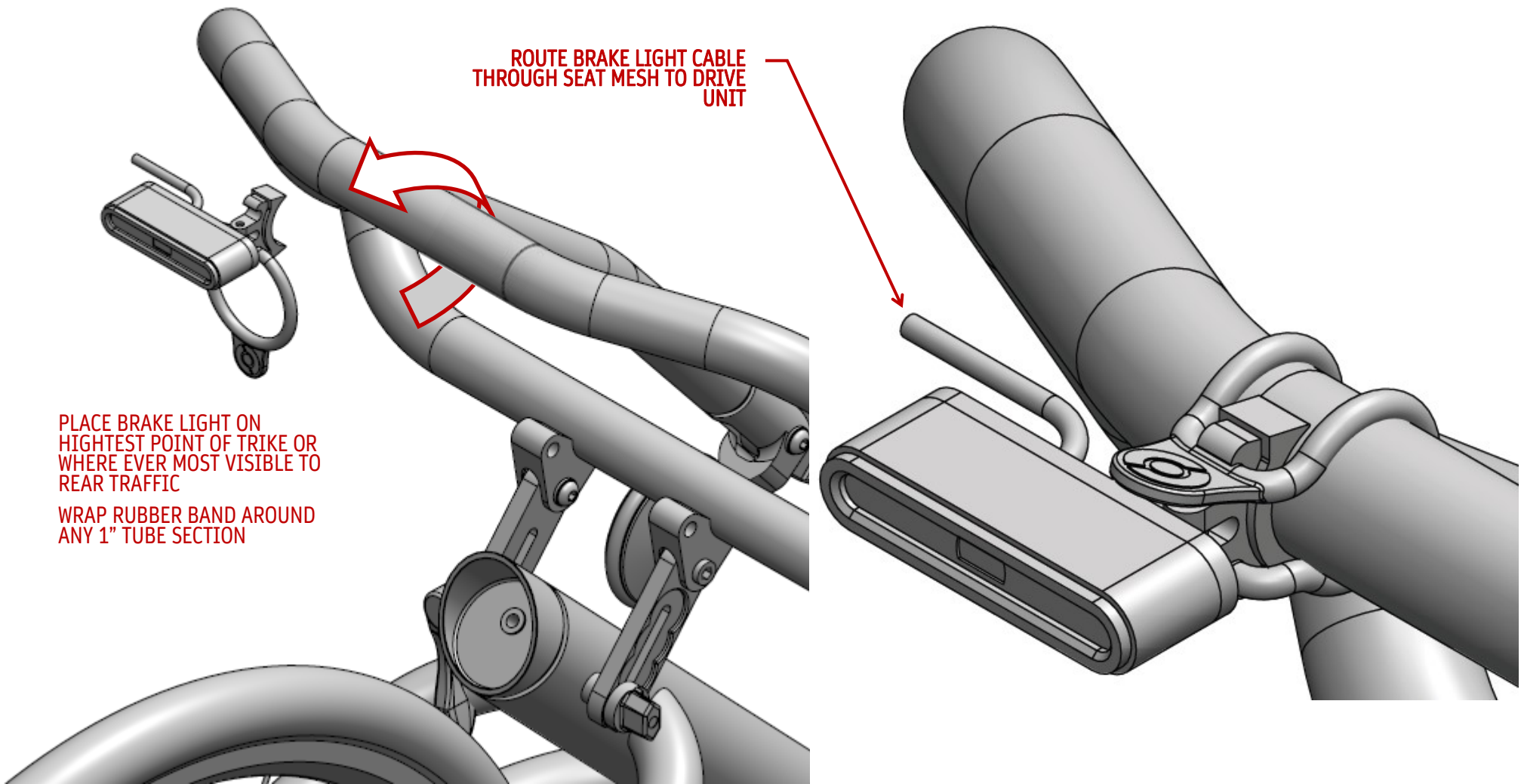
EKIT CONTROLLER ASSEMBLY



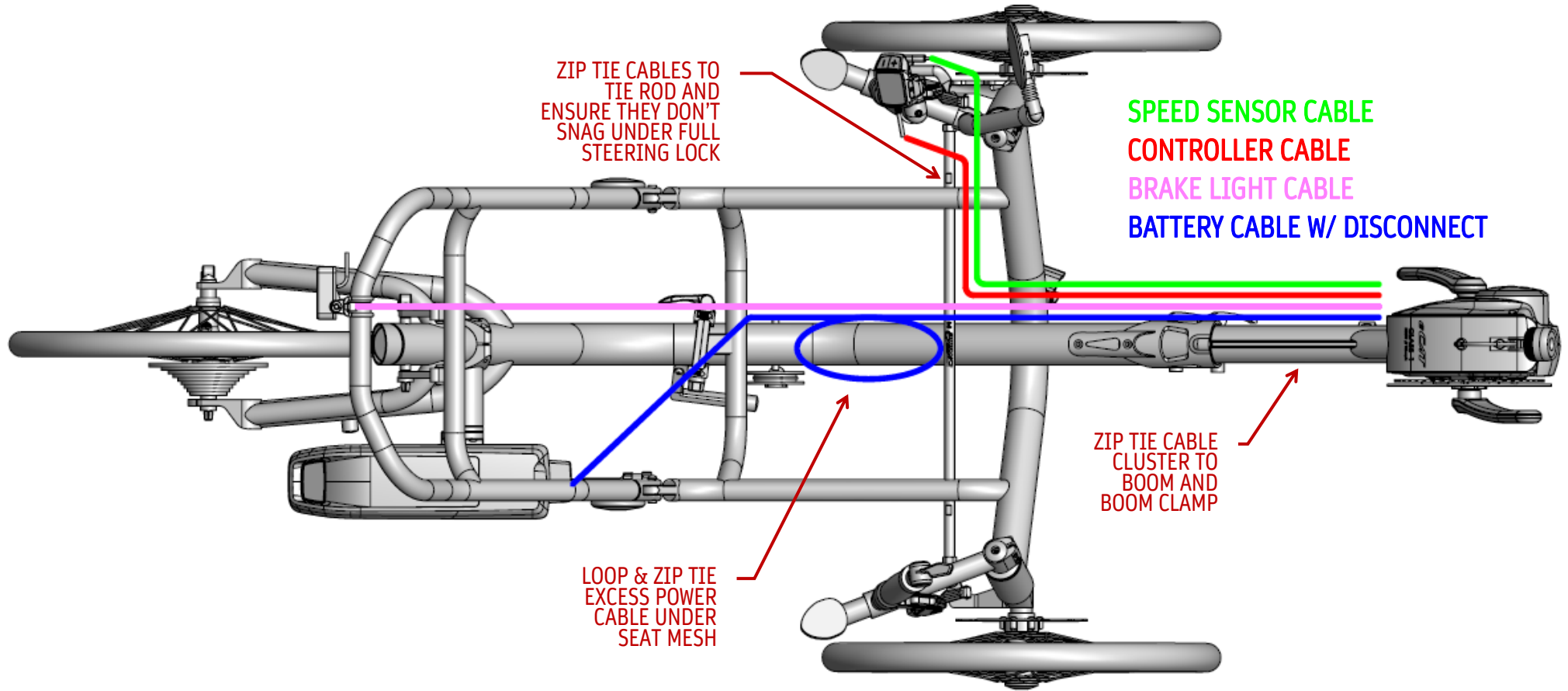
EKIT FRONT LIGHT ASSEMBLY



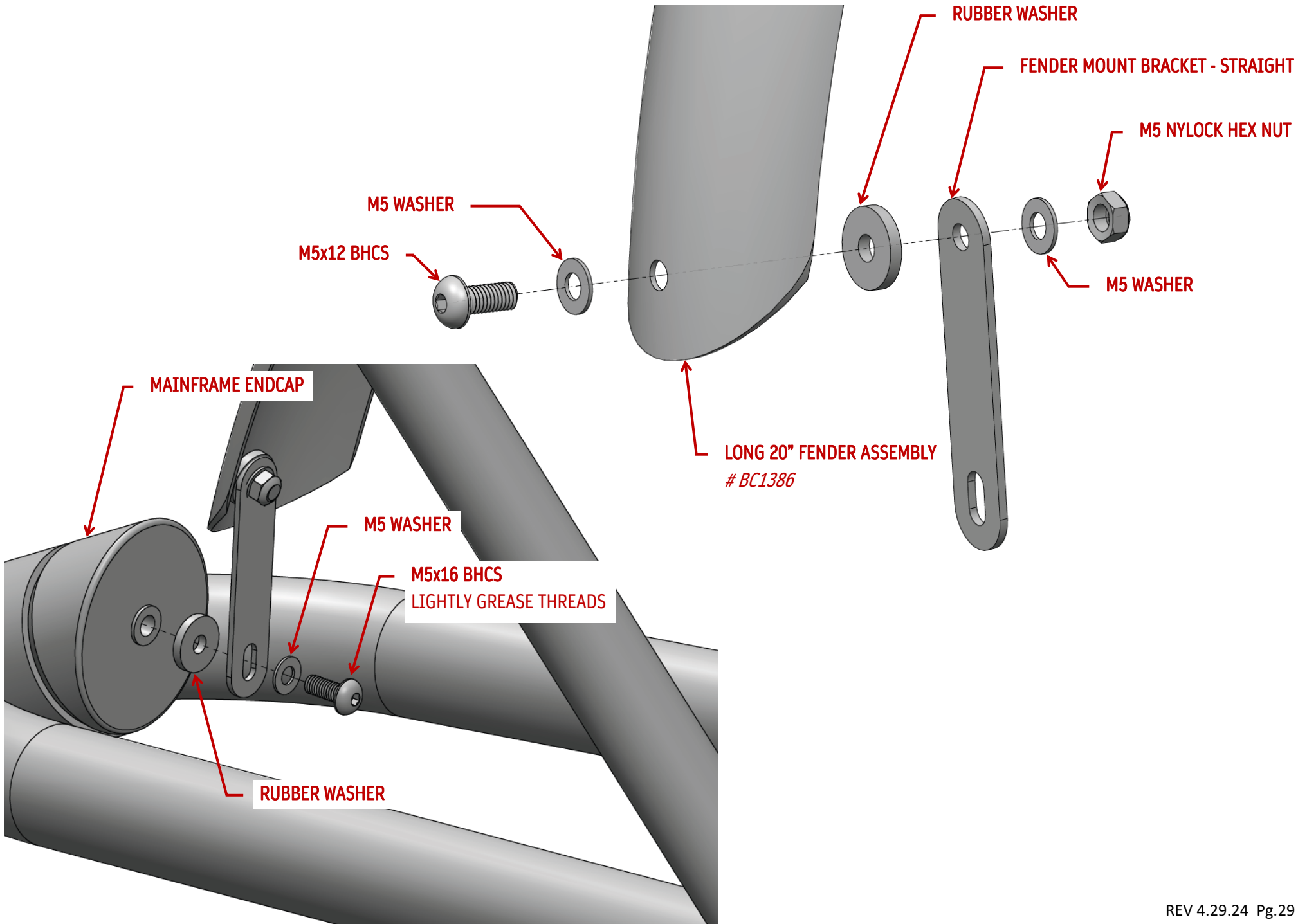
EKIT REAR LIGHT ASSEMBLY



EKIT CABLE ROUTING



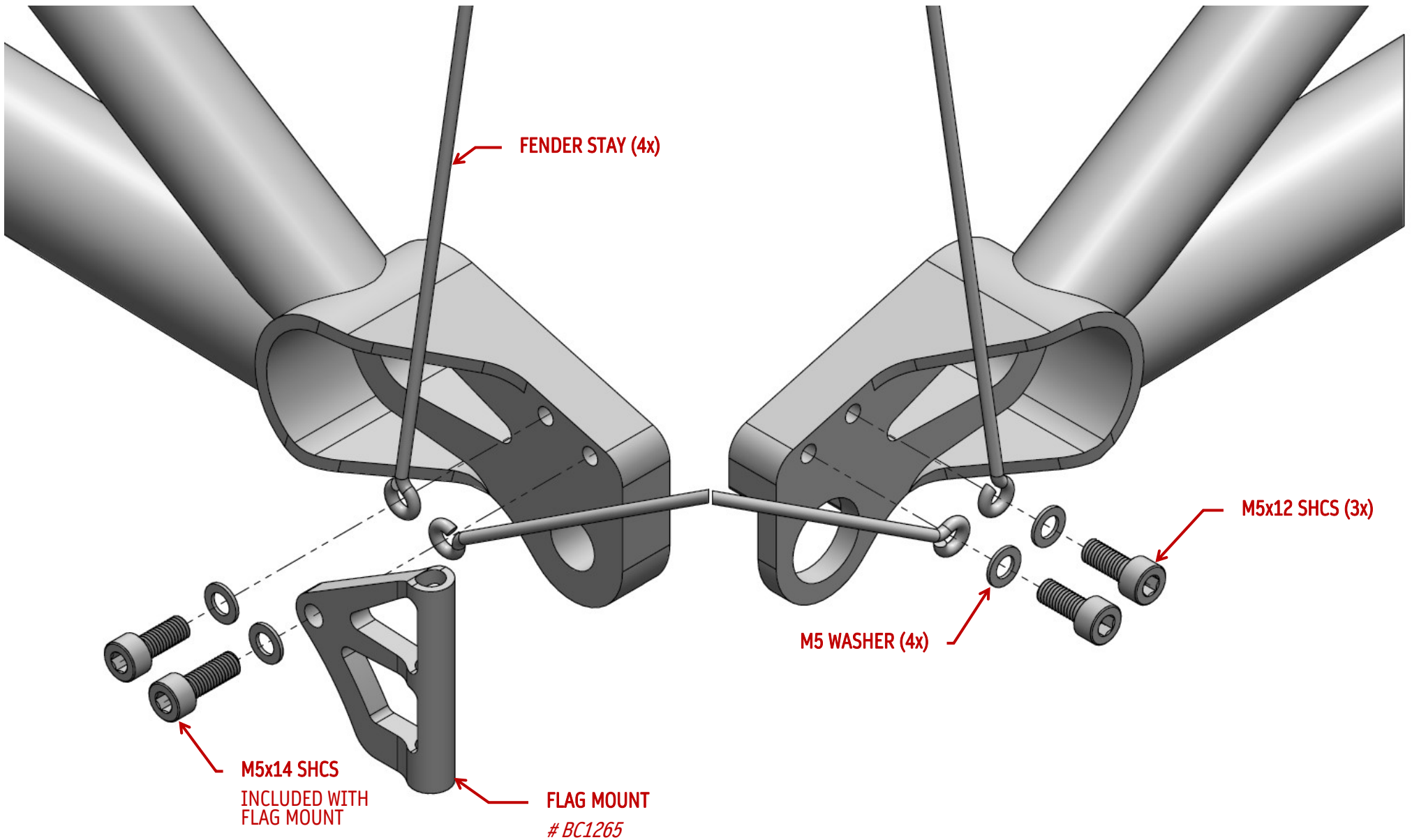
FENDER TO FRAME INSTALLATION



FENDER TO DROP OUT INSTALLATION

LEFT DROP OUT

RIGHT DROP OUT



FENDER STAYS & FINAL INSTALLATION

