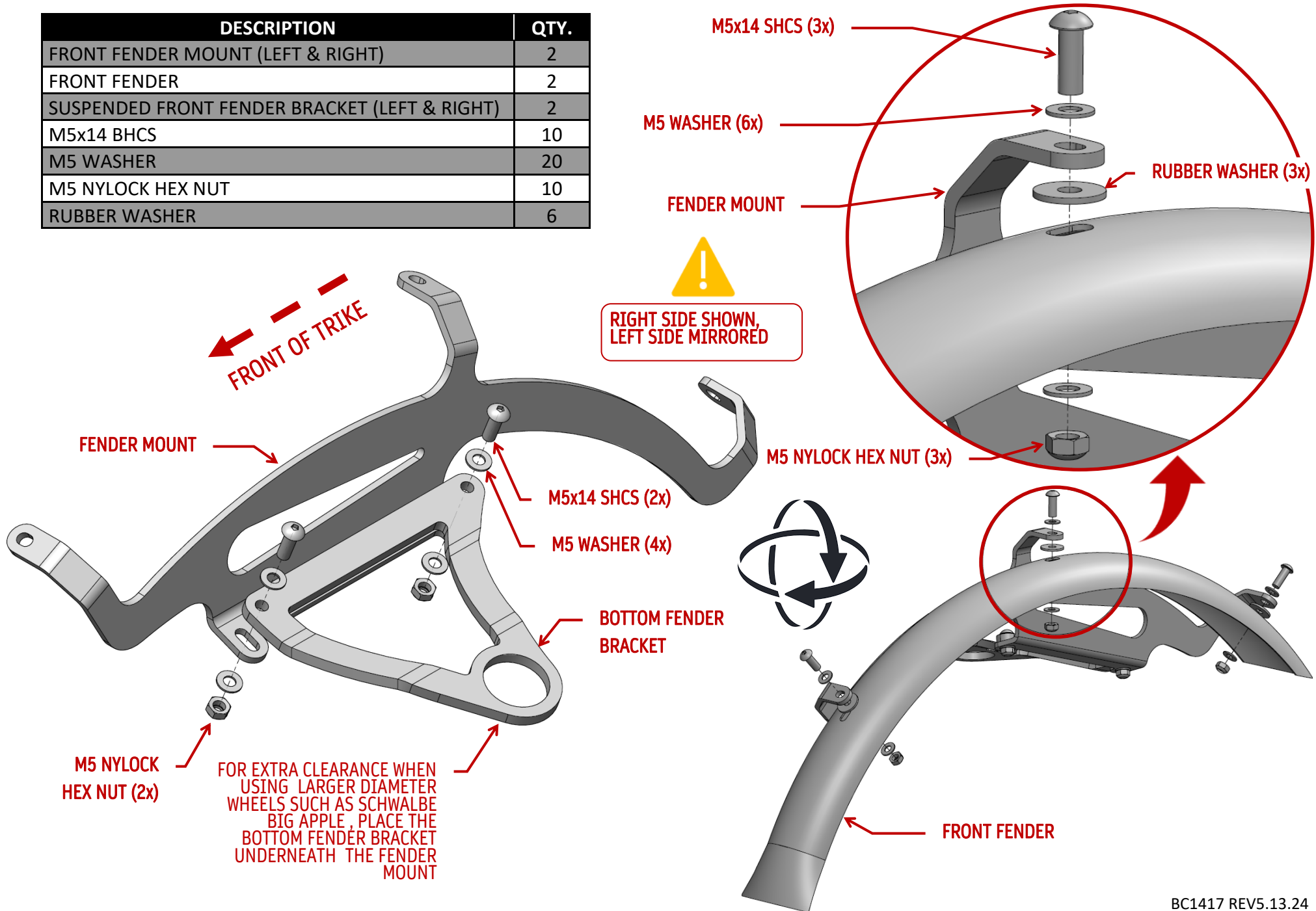


CATRIKE SUSPENDED FRONT FENDER INSTRUCTIONS



DESCRIPTION	QTY.
FRONT FENDER MOUNT (LEFT & RIGHT)	2
FRONT FENDER	2
SUSPENDED FRONT FENDER BRACKET (LEFT & RIGHT)	2
M5x14 BHCS	10
M5 WASHER	20
M5 NYLOCK HEX NUT	10
RUBBER WASHER	6





**RIGHT SIDE SHOWN,
LEFT SIDE MIRRORRED**



**M6x35 SHCS
INCLUDED WITH FRONT
FENDER ASSEMBLY**

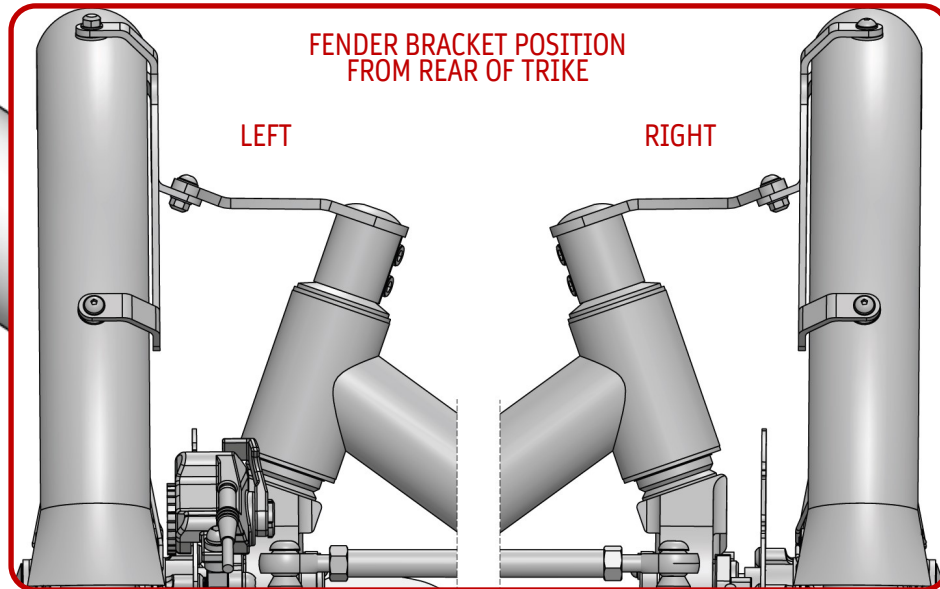
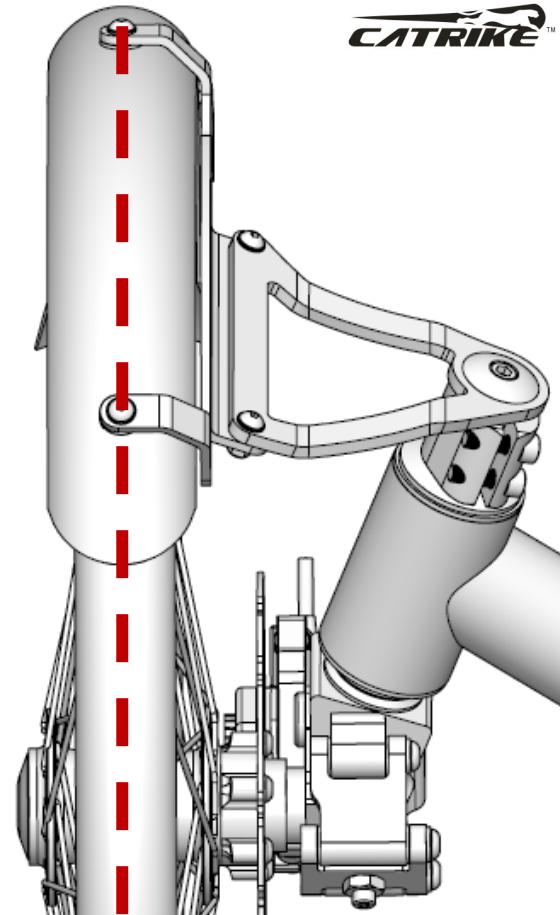


FSA TOP CAP



FRONT FENDER ASSEMBLY

**ALIGN FRONT FENDER
SO THAT IT IS PARALLEL
TO FRONT WHEEL, THEN
TIGHTEN TO HEADSET
ASSEMBLY**



**FENDER BRACKET POSITION
FROM REAR OF TRIKE**

LEFT

RIGHT